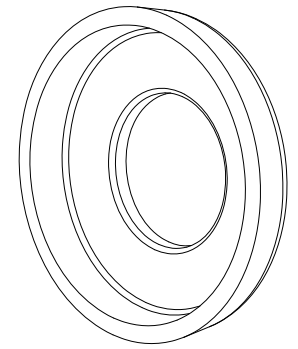
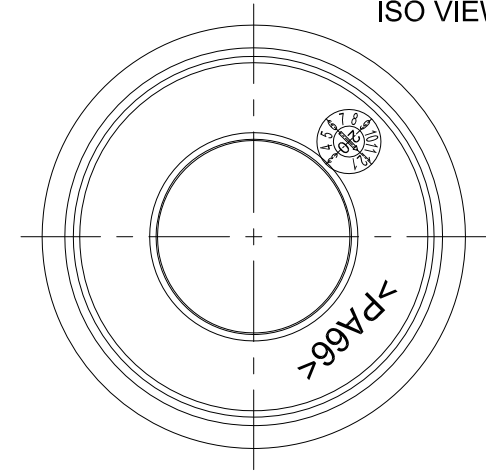


SECTION A-A



ISO VIEW



Notes:

1. Material: PA66 UL94HB
2. Color: Natural
3. RoHS Compliant

Gecko International Co.						DATE	2020-3-10	DIMENSION	TOLERANCE
TITLE	DISTANCE WASHER					SCALE	FIT	L ≤ 4	±0.10
ARTICLE NO.	G4052318	MOLD NO.	S1159	DRAW	PLK	UNIT	MM	4 < L ≤ 15	±0.20
PART NO.	10092	MATERIAL	SEE NOTES	DESIGN	PLK	VERSION	A0	15 < L ≤ 50	±0.30
DWG NO.	E1096	COLOR	SEE NOTES	APPROVAL	FDL	VIEW		50 < L ≤ 100	±0.40