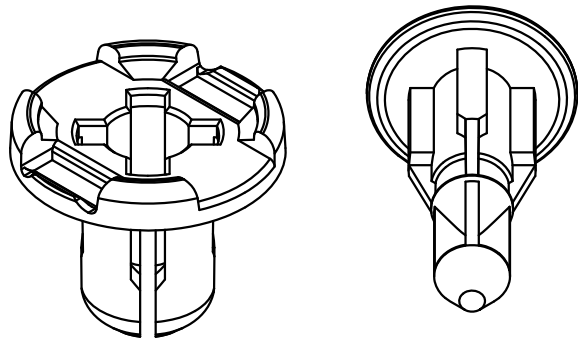
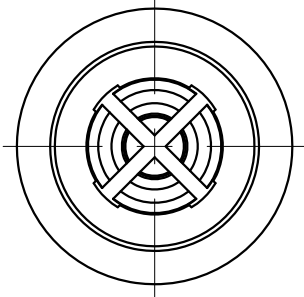
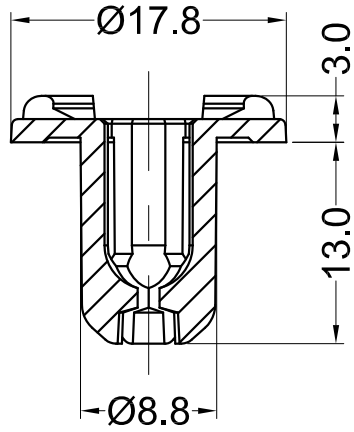
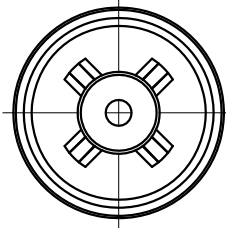
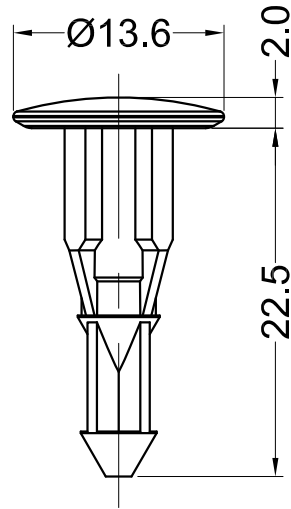


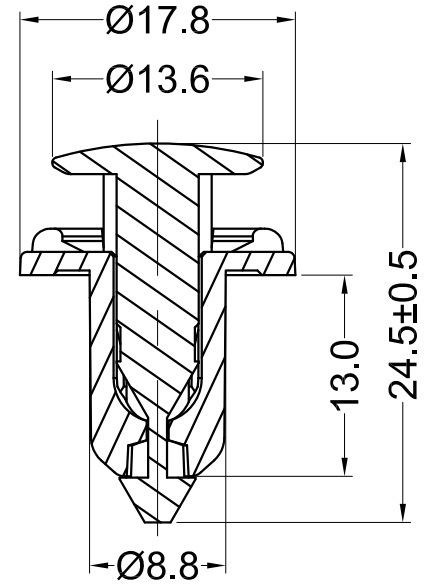
Body



Pin



Assembly Part



Notes:

1. RoHS Compliant;
2. Hole: $\text{Ø}8.9\pm0.08\text{mm}$;
Panel Thickness: 4.0-7.0mm.

Gecko International Co.

Gecko International Co.						DATE	2021-2-4	DIMENSION		TOLERANCE	
TITLE	PUSH LOCK RIVETS					SCALE	FIT	L \leq 4	\pm 0.10		
ARTICLE NO.	GA8813B	MOLD NO.	/	DRAW	JF	UNIT	MM	4 < L \leq 15	\pm 0.20		
PART NO.	10053	MATERIAL	POM UL94HB	DESIGN	JF	VERSION	A0	15 < L \leq 50	\pm 0.30		
DWG NO.	E1102	COLOR	BLACK	APPROVAL	FDL	VIEW		50 < L \leq 100	\pm 0.40		