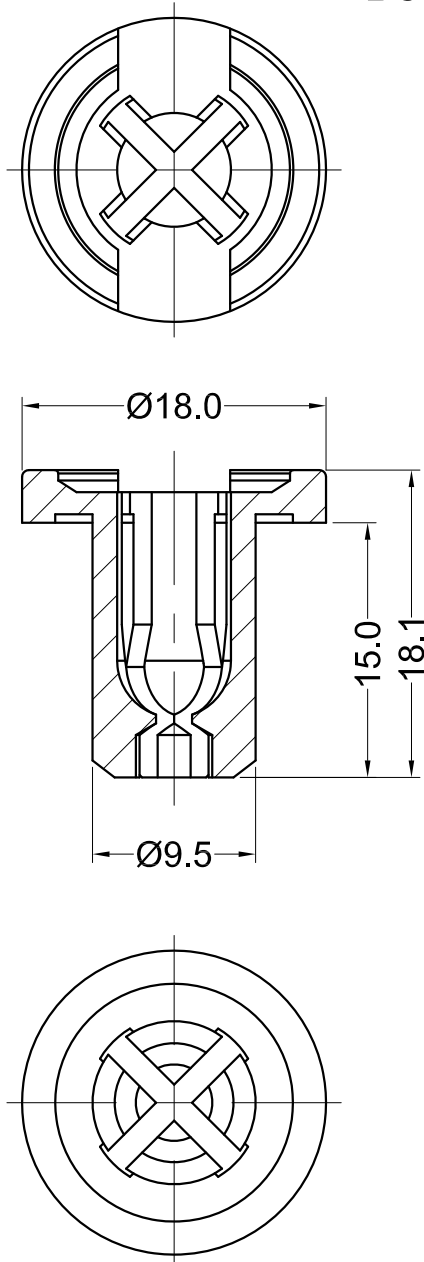
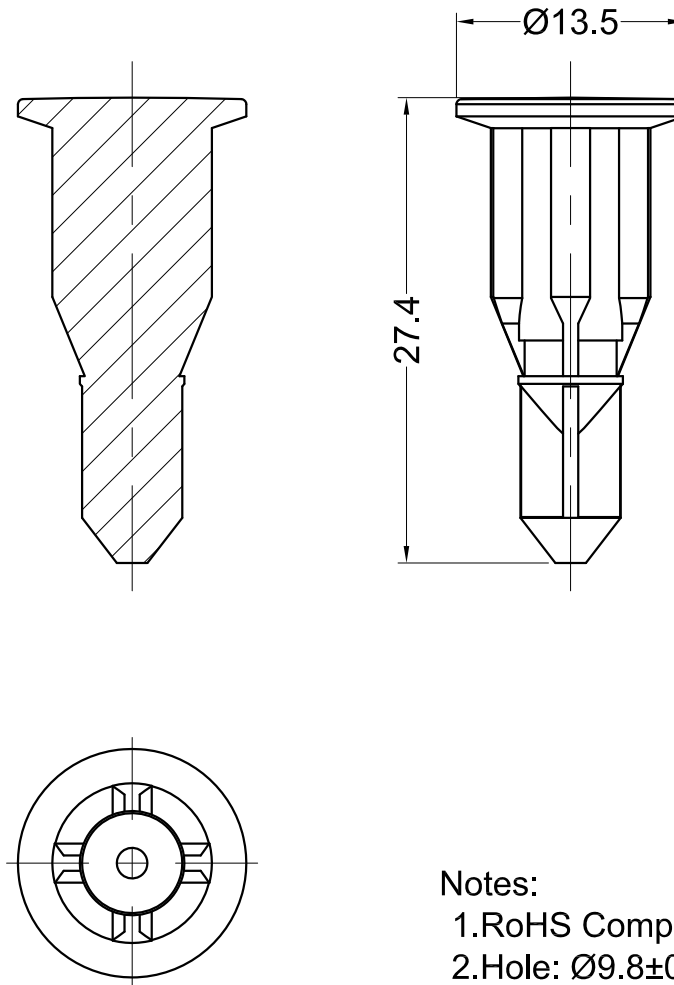


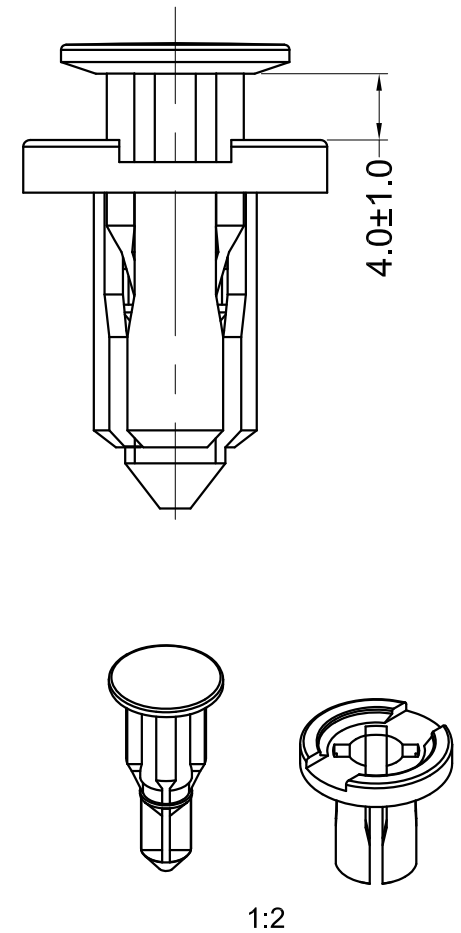
Body



Pin



Assembly Part



- Notes:
 1. RoHS Compliant;
 2. Hole: $\text{Ø}9.8 \pm 0.08\text{mm}$,
 Panel Thickness: 6.5-11.5mm;

Gecko International Co.						DATE	2021-9-28	DIMENSION	TOLERANCE
TITLE	PUSH LOCK RIVETS					SCALE	FIT	$L \leq 4$	± 0.10
ARTICLE NO.	GA95150B	MOLD NO.	/	DRAW	JF	UNIT	MM	$4 < L \leq 15$	± 0.20
PART NO.	21554	MATERIAL	POM UL94HB	DESIGN	JF	VERSION	A0	$15 < L \leq 50$	± 0.30
DWG NO.	E2395	COLOR	BLACK	APPROVAL	FDL	VIEW		$50 < L \leq 100$	± 0.40