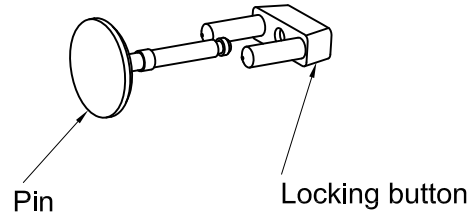
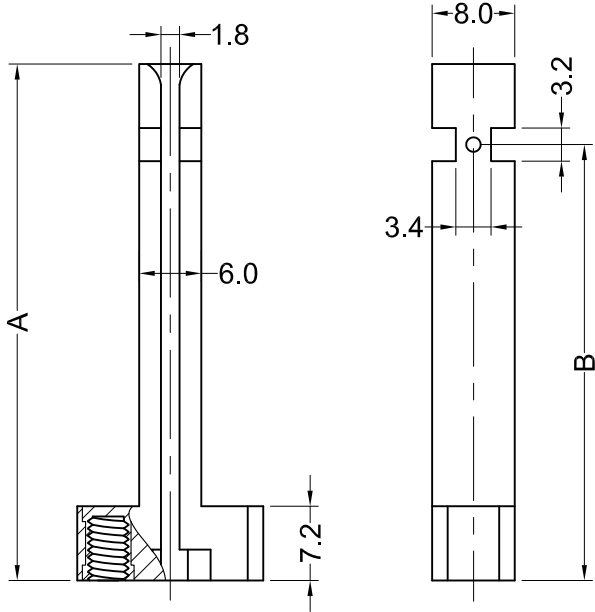
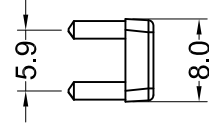
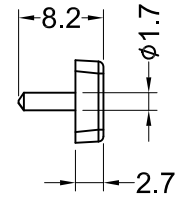
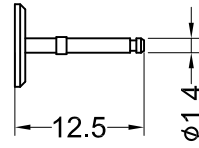
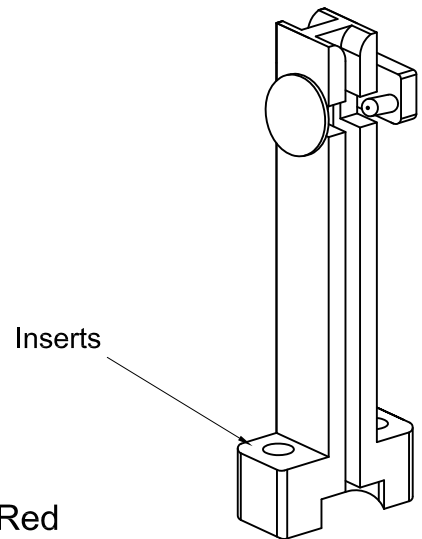


2-M3 x 0.5



Pin

Locking button



Inserts

Notes:

- 1.Body: PA6 UL94 HB glass filled 30%; Color: Blue
- 2.Locking Button: PA6 UL94 HB glass filled 30%; Color: Red
- 3.Inserts: Brass Nickel Plated
- 4.Pin: Brass Nickel Plated
- 5.RoHS Compliant

Part No.	Article No.	A	B
61272	GSV050MBM	50.0	42.2
61273	GSV065MBM	65.0	57.2
61274	GSV090MBM	90.0	82.2
61275	GSV120MBM	120.0	112.2

Gecko International Co.

DATE

2021-11-9

DIMENSION

TOLERANCE

TITLE VERTICAL MOUNT PC BOARD GUIDE

SCALE

FIT

$L \leq 4$

± 0.10

ARTICLE NO. GSV MOLD NO. / DRAW JF

UNIT

MM

$4 < L \leq 15$

± 0.20

PART NO. SEE TABLE MATERIAL SEE NOTES DESIGN JF

VERSION

A0

$15 < L \leq 50$

± 0.30

DWG NO. E6308 COLOR SEE NOTES APPROVAL

VIEW



$50 < L \leq 100$

± 0.40