

Fig.1

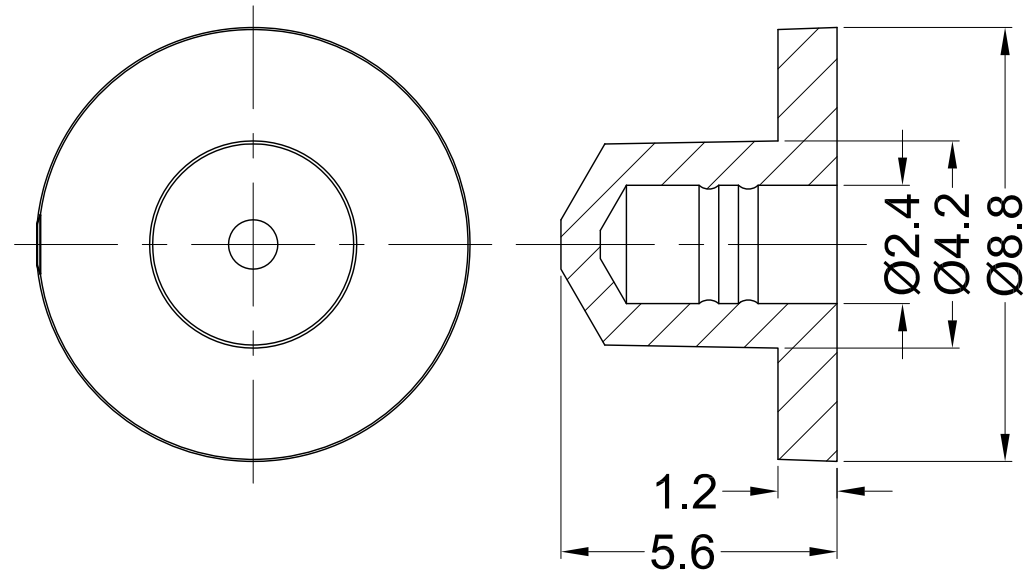


Fig.2

| Part No. | Part Name. | Fig |
|----------|------------------|-----|
| 60944 | G061 0053 000 03 | 1 |
| 60945 | G061 0042 000 03 | 2 |

Notes:

- 1.Material:LDPE;
- 2.Color:Natural;
- 3.RoHS Compliant;

| Gecko International Co. | | | | | | DATE | 2021-11-15 | DIMENSION | | TOLERANCE | |
|-------------------------|-----------------|----------|-----------|----------|-----|---------|------------|-------------------|------------|-----------|--|
| TITLE | PROTECTION PLUG | | | | | SCALE | FIT | L \leq 4 | \pm 0.10 | | |
| PART NAME | G061 | MOLD NO. | S0948/949 | DRAW | PLK | UNIT | MM | 4 < L \leq 15 | \pm 0.20 | | |
| PART NO. | SEE TABLE | MATERIAL | SEE NOTES | DESIGN | PLK | VERSION | A0 | 15 < L \leq 50 | \pm 0.30 | | |
| DWG NO. | E6262 | COLOR | SEE NOTES | APPROVAL | FDL | VIEW | | 50 < L \leq 100 | \pm 0.40 | | |