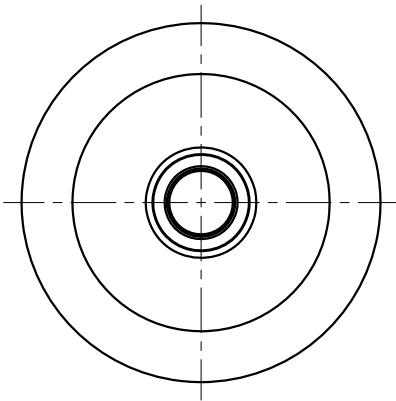
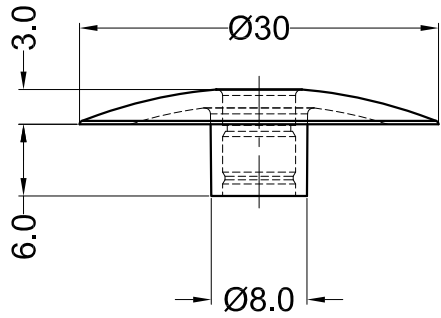
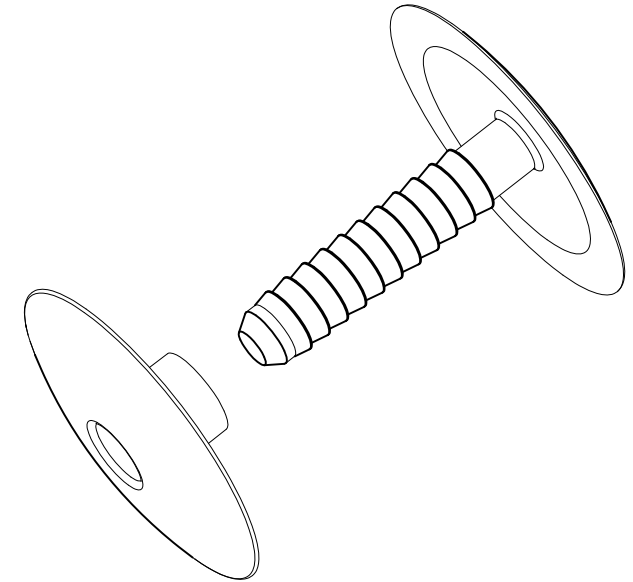
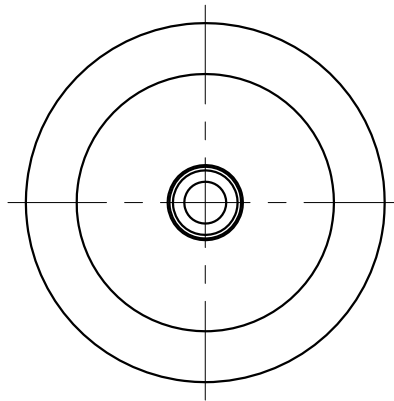
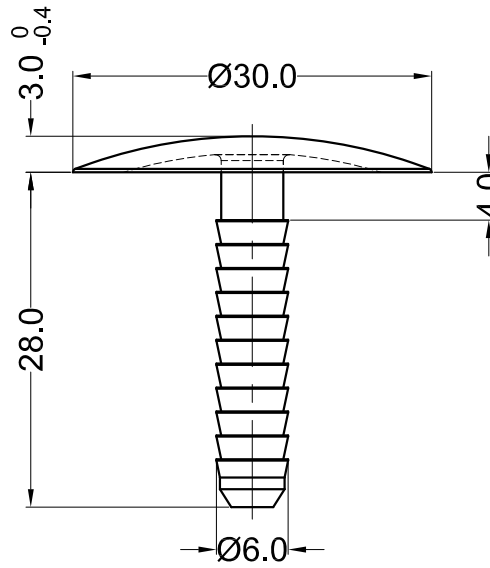


G8502260901VR-F



G8502260901VR -M



Notes:

- 1. RoHS Compliant;
- 2. Hole: Ø8.0-Ø20.0mm,
Panel Thickness: 6.0-22.0mm.

Part No.	Article No.	Material	Color
21671	G8502260901VR-F	LDPE+HDPE	Black
21672	G8502260901VR-M	PP UL94 HB	Black

Gecko International Co.						DATE	2023-7-27	DIMENSION	TOLERANCE
TITLE	SNAP FASTENERS					SCALE	FIT	L≤4	±0.10
ARTICLE NO.	G8502260901VR	MOLD NO.	S1295/S1296	DRAW	PLK	UNIT	MM	4 < L ≤ 15	±0.20
PART NO.	SEE TABLE	MATERIAL	SEE NOTES	DESIGN	PLK	VERSION	A0	15 < L ≤ 50	±0.30
DWG NO.	E2429	COLOR	SEE NOTES	APPROVAL	FDL	VIEW		50 < L ≤ 100	±0.40