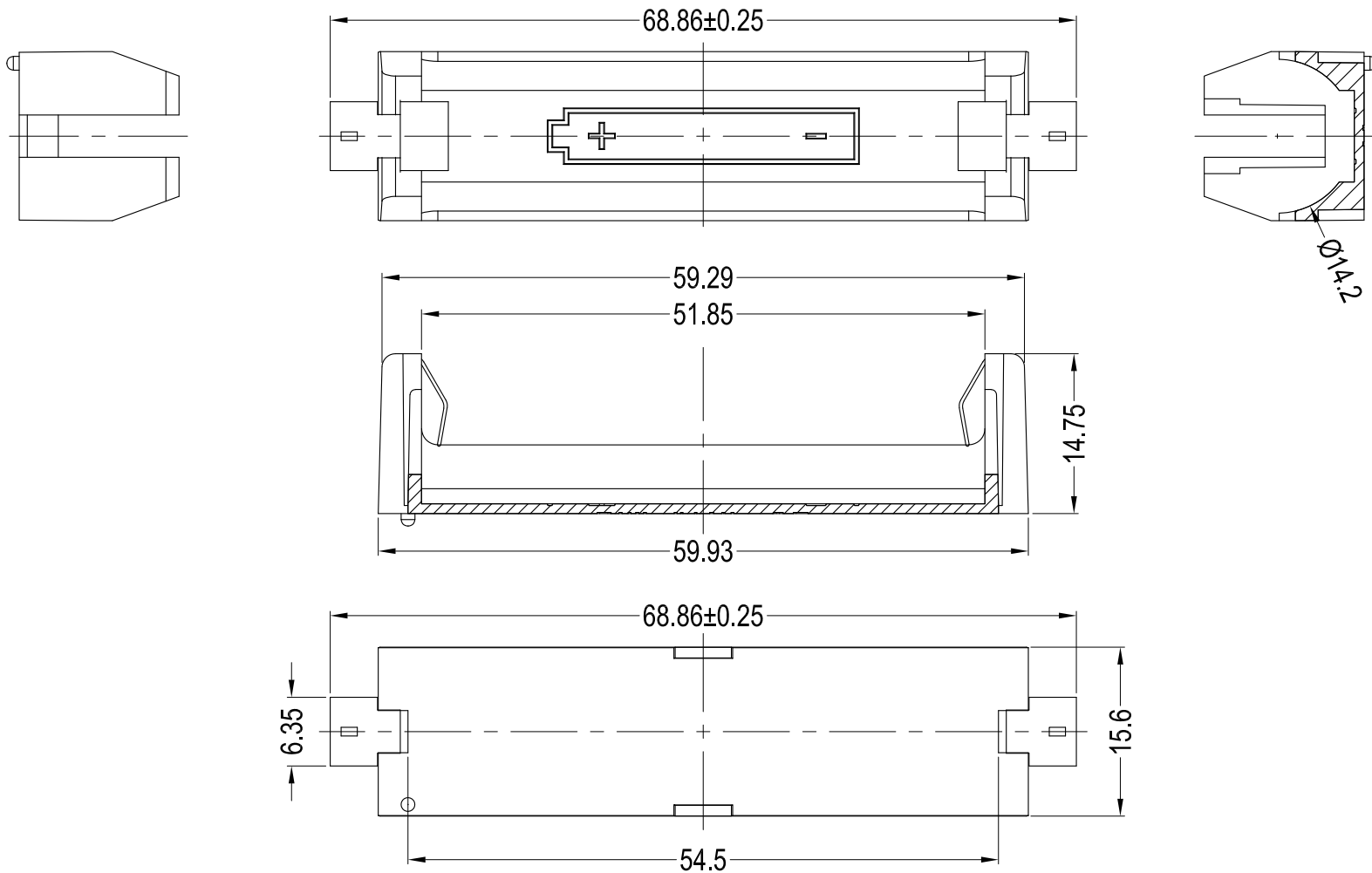


REV	DESCRIPTION	DATE	CHECK
A1	The Article No. changed from G-BATTERY HOLDER to GBH-5.	2025-10-17	FDL



Notes:

1. Material:

Base: PA46+GF UL94 V0,  
 Contact: Phosphor Bronze,  
 Nickel Platina plating;

2. Cell Size: AA ;

3. Color: Black;

4. RoHS Compliant.

Gecko International Co.						DATE	2025-10-18	DIMENSION	L ≤ 4	TOLERANCE	±0.10
TITLE	BATTERY HOLDER					SCALE	FIT	L ≤ 4	±0.10		
ARTICLE NO.	GBH-5	MOLD NO.	S0644	DRAW	LWJ	UNIT	MM	4 < L ≤ 15	±0.20		
PART NO.	30213	MATERIAL	SEE NOTES	DESIGN	LWJ	VERSION	A1	15 < L ≤ 50	±0.30		
DWG NO.	E3097	COLOR	SEE NOTES	APPROVAL	FDL	VIEW		50 < L ≤ 100	±0.40		