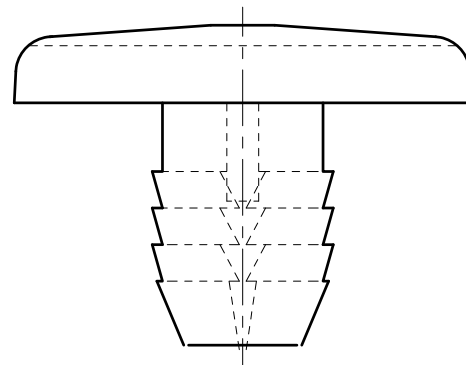
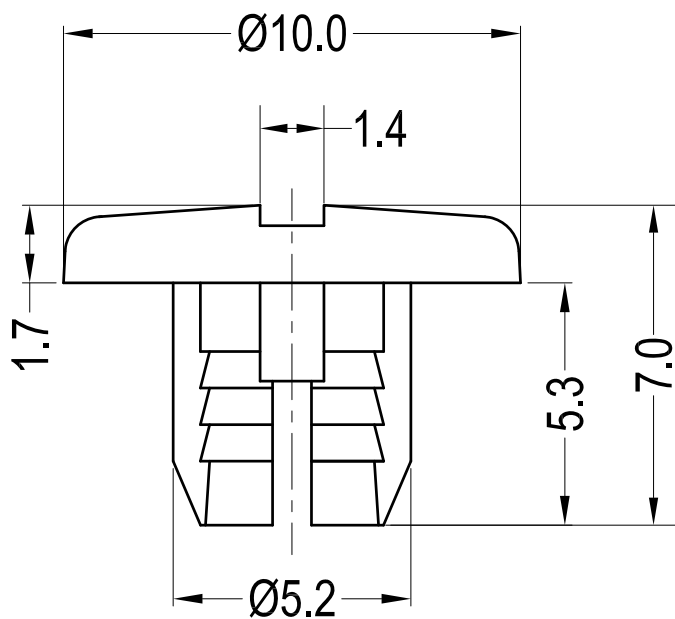
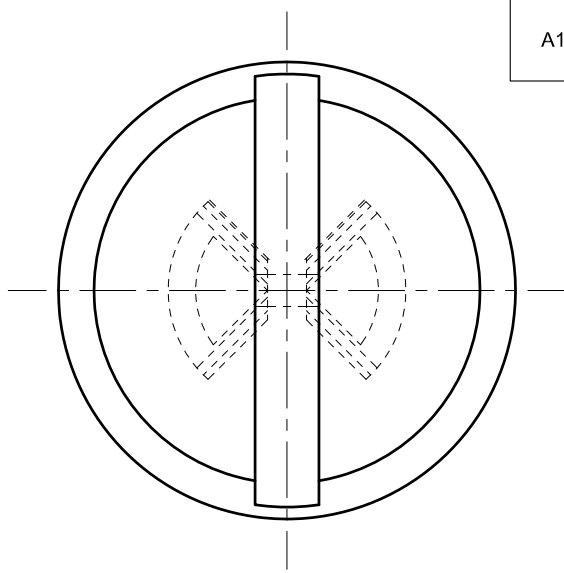


REV	DESCRIPTION	DATE	CHECK
A1	The Article No. changed from G096 0655 351 01 to GBR2-005-Y. The Article No. changed from G096 0655 000 01 to GBR2-005-N. The Article No. changed from G096 0655 599 01 to GBR2-005-B. The Article No. changed from G096 0655 000 01R to GBR2-005-R.	2025/9/27	FDL



Notes:

1. Material: PA6 UL94 V2;
2. RoHS Compliant;
3. Hole: $\text{Ø}5.5 \pm 0.08\text{mm}$,
Panel Thickness: 5.4-7.0mm.

Part No.	Article No.	Color
21129	GBR2-005-Y	Luminescent Yellow
21348	GBR2-005-N	Natural
21435	GBR2-005-B	Black
21499	GBR2-005-R	Red

Gecko International Co.

Gecko International Co.						DATE	2025-9-27	DIMENSION	TOLERANCE
TITLE	MINI BARBED RIVET					SCALE	FIT	$L \leq 4$	± 0.10
ARTICLE NO.	GBR2	MOLD NO.	S0965	DRAW	PLK	UNIT	MM	$4 < L \leq 15$	± 0.20
PART NO.	SEE TABLE	MATERIAL	SEE NOTES	DESIGN	PLK	VERSION	A1	$15 < L \leq 50$	± 0.30
DWG NO.	E2304	COLOR	SEE TABLE	APPROVAL	FDL	VIEW		$50 < L \leq 100$	± 0.40