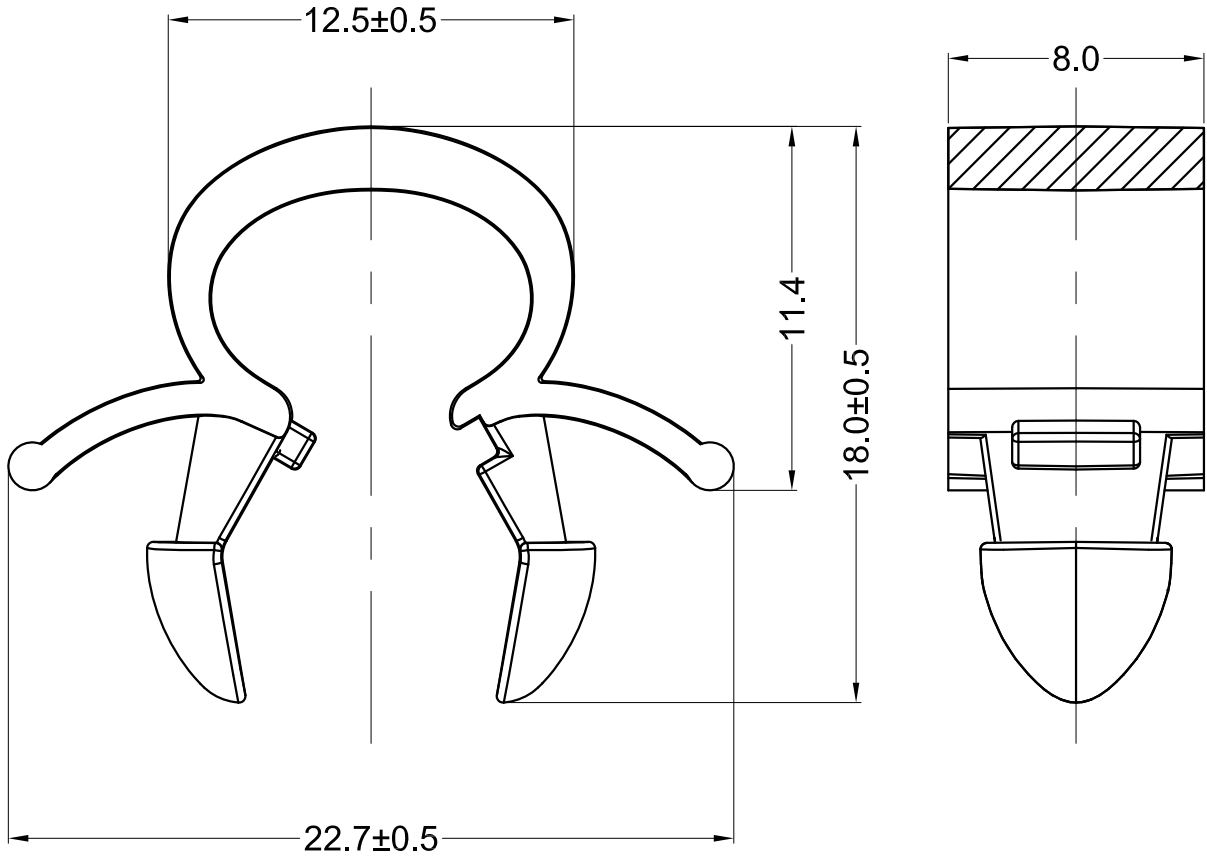


REV	DESCRIPTION	DATE	CHECK
A1	The Article No. changed from GY-285-1213 To GCTM-7.	2025-10-15	FDL



Notes:

1. Material: PA66 UL94V2;
2. RoHS Compliant;
3. Hole: $\varnothing 6.0-7.0$ mm;
Panel Thickness: 1.0-3.0mm.

Part No.	Article No.	Color
60357	GCTM-7-66	Natural
60766	GCTM-7-66B	Black

Gecko International Co.

Gecko International Co.						DATE	2025-10-15	DIMENSION	TOLERANCE
TITLE	PUSH MOUNT CABLE TIE HOLDER					SCALE	FIT	$L \leq 4$	± 0.10
ARTICLE NO.	GCTM-7	MOLD NO.	S0553	DRAW	JF	UNIT	MM	$4 < L \leq 15$	± 0.20
PART NO.	SEE TABLE	MATERIAL	SEE NOTES	DESIGN	JF	VERSION	A1	$15 < L \leq 50$	± 0.30
DWG NO.	E6130	COLOR	SEE TABLE	APPROVAL	FDL	VIEW		$50 < L \leq 100$	± 0.40