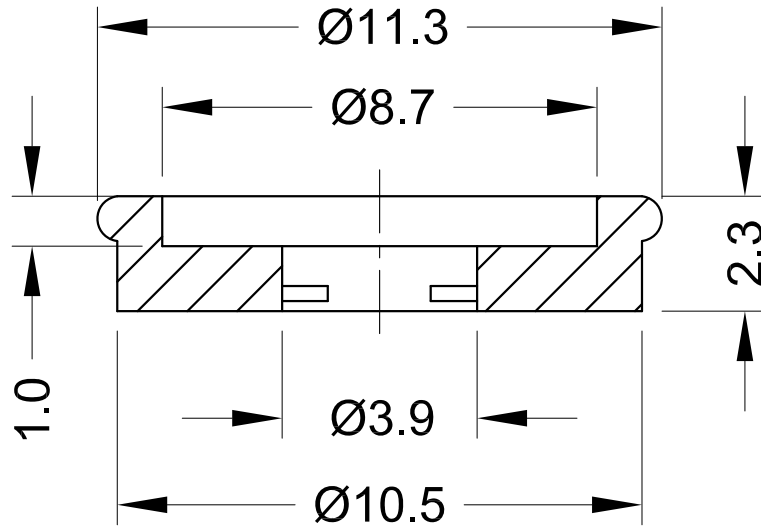
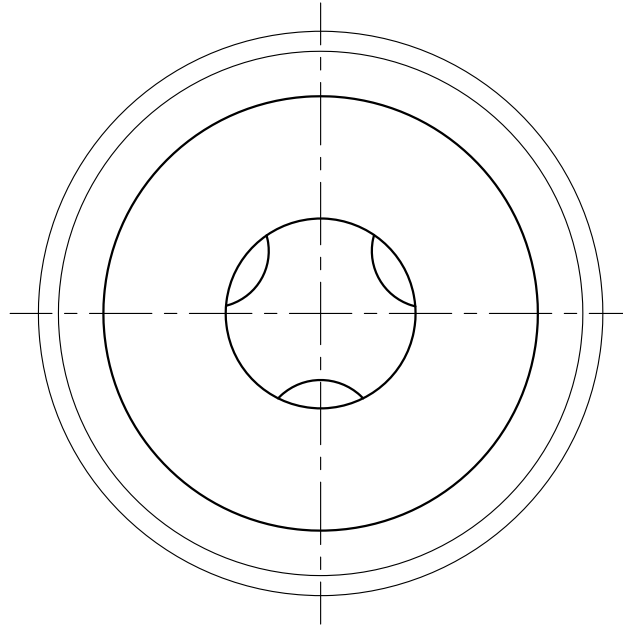


REV	DESCRIPTION	DATE	CHECK
A1	The Article No. changed from G13299 to GCW-(Spec.)-(Material)-(Color).	2025-10-20	FDL



Notes:

1. Material: PP UL94 HB;
2. Color: White;
3. To Fit Screw Gauge: Up to 8(M4);
4. RoHS Compliant.

Gecko International Co.

Gecko International Co.						DATE	2025-10-20	DIMENSION		TOLERANCE	
TITLE	UNICAP WASHER					SCALE	FIT	L ≤ 4	±0.10		
ARTICLE NO.	GCW-105-PP-W	MOLD NO.	S0860	DRAW	LWJ	UNIT	MM	4 < L ≤ 15	±0.20		
PART NO.	30260	MATERIAL	SEE NOTES	DESIGN	LWJ	VERSION	A1	15 < L ≤ 50	±0.30		
DWG NO.	E3119	COLOR	SEE NOTES	APPROVAL	FDL	VIEW		50 < L ≤ 100	±0.40		