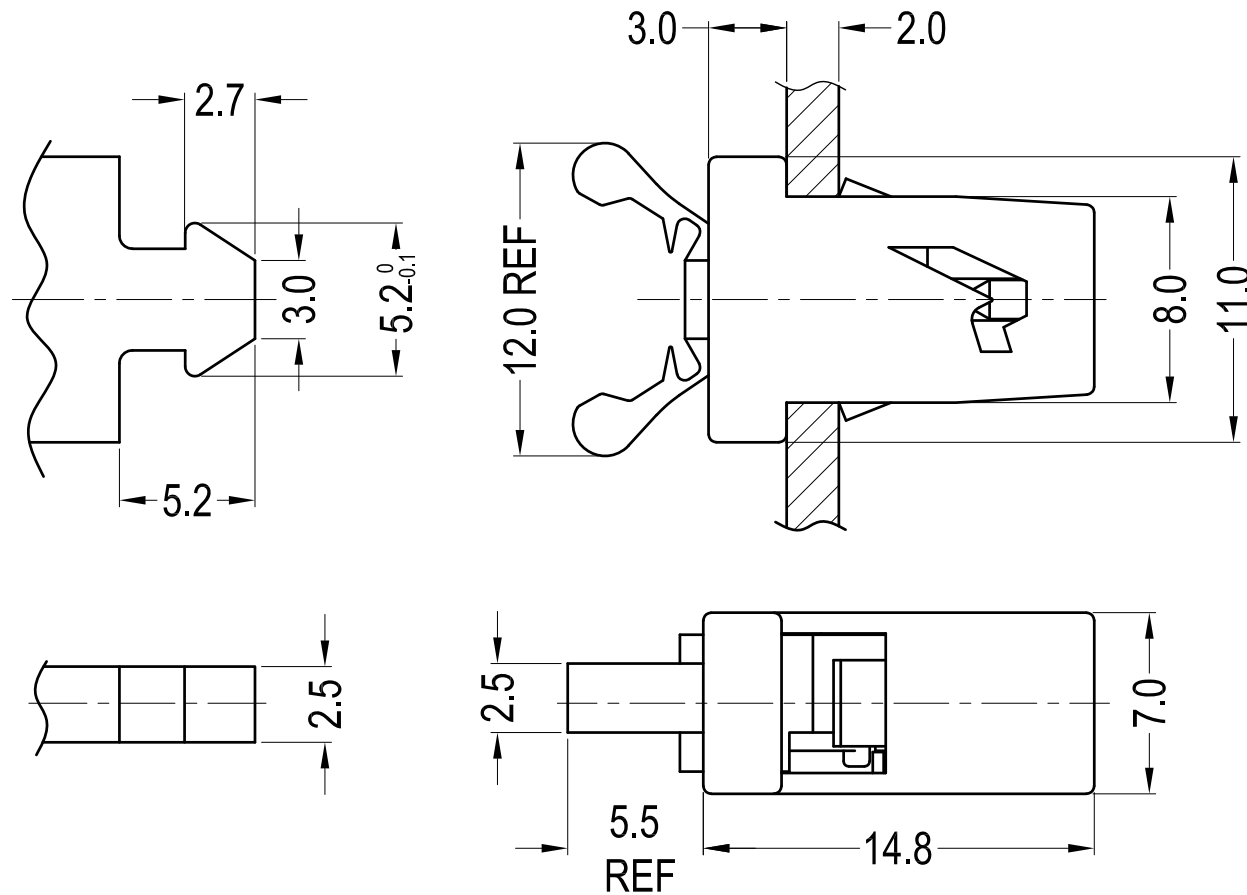


REV	DESCRIPTION	DATE	CHECK
A1	Add "G" to the original Article No..	2025-10-16	FDL
A2	Add GDL-4-1-B and GDL-4G-Y.	2026-1-19	FDL



Body Locking Force:10N Max.		
Body Release Force:50N Min.		
Locking Stroke Force:5±2N		
Retention Force(Locked):15N Min.		
Locking Stroke:5.5mm		
Release Stroke:1.3mm		
Part No.	Article No.	Color
30178	GDL-4-B	Black
30180	GDL-4-W	White

Notes:

- Material: POM UL94 HB (Case), PA66 UL94 V2 (Catcher), PC+GF (Arm), 04 Stainless Steel (Spring);
- Continuous Working Temperature: -10°C to 70°C;
- Storage Temperature: -40°C to 80°C;
- Hole:  $\square 7.0^{+0.2} \times \square 8.0^{+0.2}$ , Panel Thickness:  $2.0^{0}_{-0.1}$ ;
- Life Cycles:30000 operations;
- RoHS Compliant.

Gecko International Co.						DATE	2025-10-17	DIMENSION	TOLERANCE
TITLE	DOOR LATCHES					SCALE	FIT	L ≤ 4	±0.10
ARTICLE NO.	GDL-4	MOLD NO.	/	DRAW	LWJ	UNIT	MM	4 < L ≤ 15	±0.20
PART NO.	SEE TABLE	MATERIAL	SEE NOTES	DESIGN	LWJ	VERSION	A2	15 < L ≤ 50	±0.30
DWG NO.	E3078	COLOR	SEE TABLE	APPROVAL	FDL	VIEW		50 < L ≤ 100	±0.40