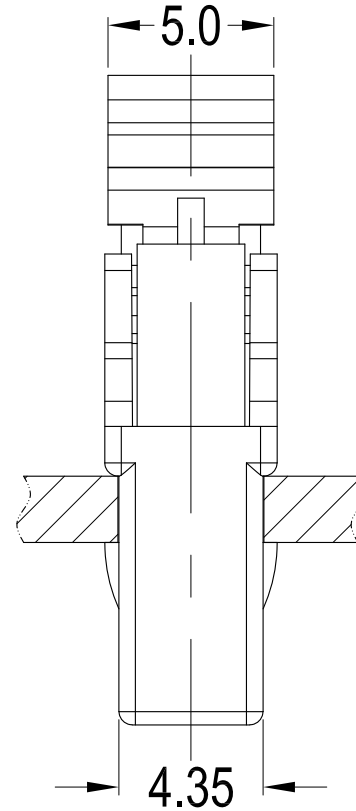
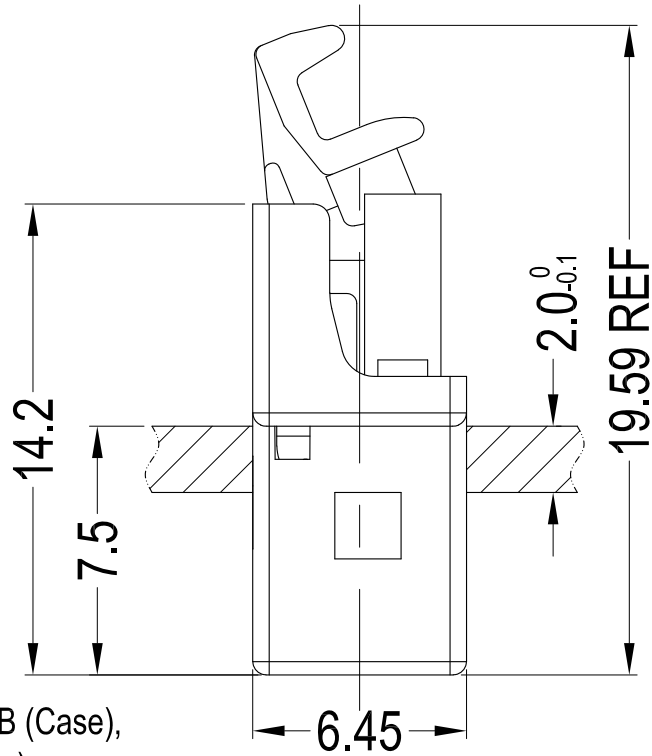
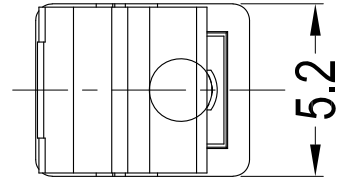


REV	DESCRIPTION	DATE	CHECK
A1	Add "G" to the original Article No. .	2025-10-17	FDL



Notes:

- Material: POM UL94 HB (Case), PA66 UL94 V2 (Catcher), Stainless Steel (Spring);
- Continuous Working Temperature: -10°C to 70°C;
- Storage Temperature: -40°C to 80°C;
- Hole: $\square 4.4^{+0.1}_0 \times \square 6.5^{+0.1}_0$;
Panel Thickness: $2.0^{+0.0}_{-0.1}$;
- Life Cycles: 30000 operations;
- RoHS Compliant.

Gecko International Co.						DATE	2025-10-18	DIMENSION		TOLERANCE	
TITLE	DOOR LATCHES					SCALE	FIT	L ≤ 4	±0.10		
Article No.	GDL-5	MOLD NO.	S0863	DRAW	LWJ	UNIT	MM	4 < L ≤ 15	±0.20		
PART NO.	30182	MATERIAL	SEE NOTES	DESIGN	LWJ	VERSION	A1	15 < L ≤ 50	±0.30		
DWG NO.	E3086	COLOR	Black	APPROVAL	FDL	VIEW		50 < L ≤ 100	±0.40		