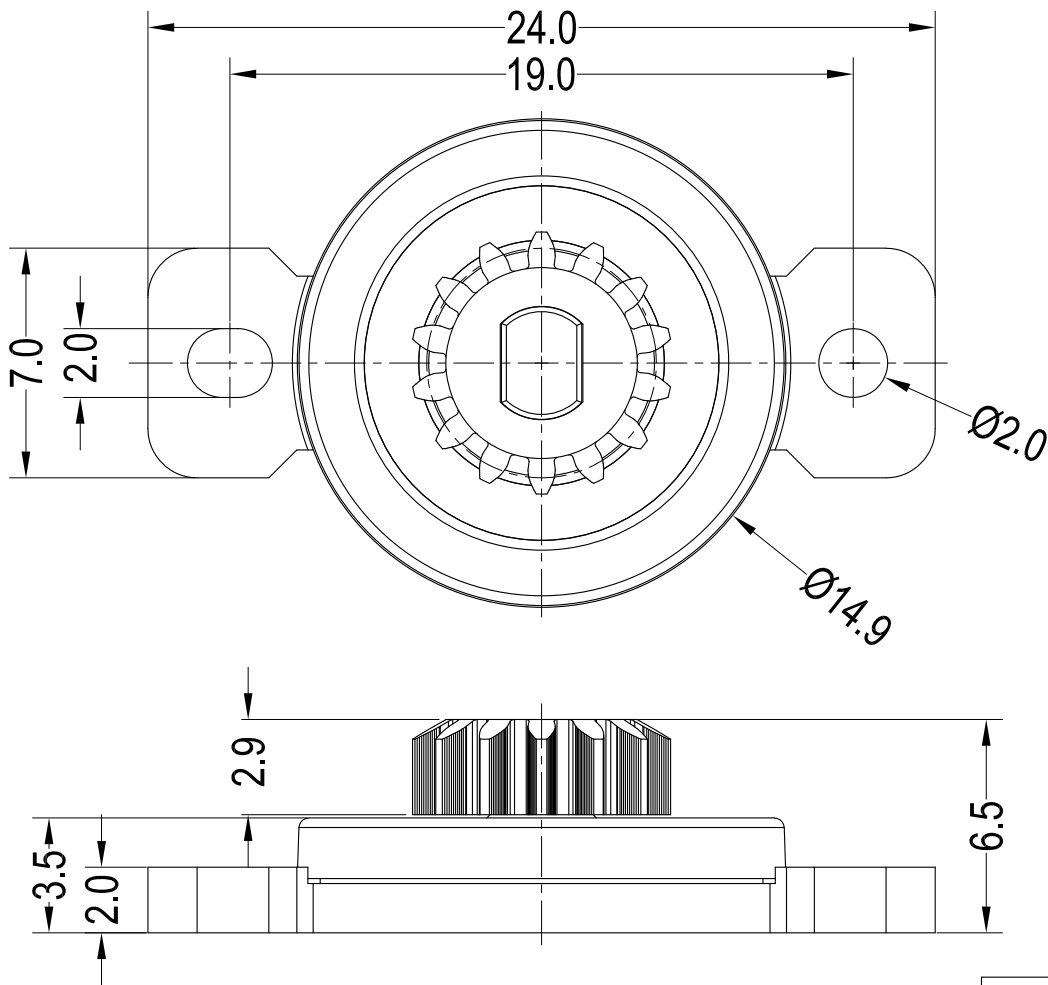


REV	DESCRIPTION	DATE	CHECK
A1	Add "G" to the original Article No. .	2025-10-16	FDL
A2	Modify the Torque tolerance:25±8 to 25±10; 60±10 to 60±15;120±15 to 120±20; 150±15 to 150±25;180±20 to 180±25.	2026-4-7	FDL



Type	Standard Spur
Teeth Profile	Involute Full Depth
Pressure Angle	20°
Number of Teeth	14
Module	0.5
Durability	30000 cycles

Part No.	Article No.	Torque (gf.cm) @20 RPM&23°C	Identification Paint Mark
30155	GDMP-D1-25	25±10	White
30156	GDMP-D1-40	40±10	Yellow
30157	GDMP-D1-60	60±15	Purple
30158	GDMP-D1-80	80±15	Green
30160	GDMP-D1-120	120±20	Black
30161	GDMP-D1-150	150±25	Red

Notes:

- Material:
(Body and Cap) PC UL94 V2,
(Gear and Shaft) POM UL94 HB;
- Color: Black;
- RoHS Compliant.

Gecko International Co.

Gecko International Co.						DATE	2026-4-7	DIMENSION	TOLERANCE
TITLE	ROTARY DAMPER WITH GEAR					SCALE	FIT	L≤4	±0.10
ARTICLE NO.	GDMP-D1	MOLD NO.	/	DRAW	LWJ	UNIT	MM	4< L≤15	±0.20
PART NO.	SEE TABLE	MATERIAL	SEE NOTES	DESIGN	LWJ	VERSION	A2	15< L≤50	±0.30
DWG NO.	E3060	COLOR	SEE NOTES	APPROVAL	FDL	VIEW		50< L≤100	±0.40