

Fig.1

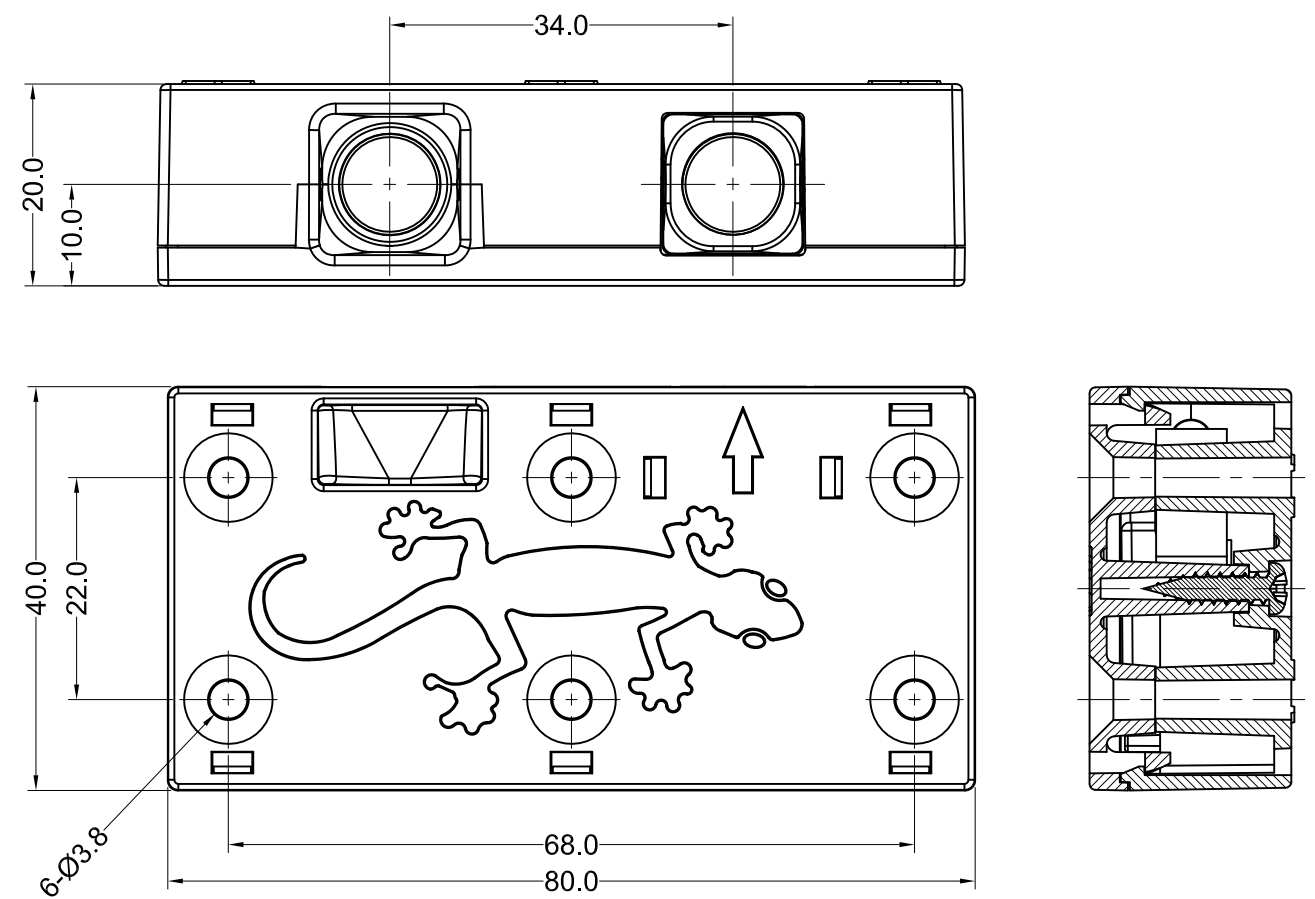
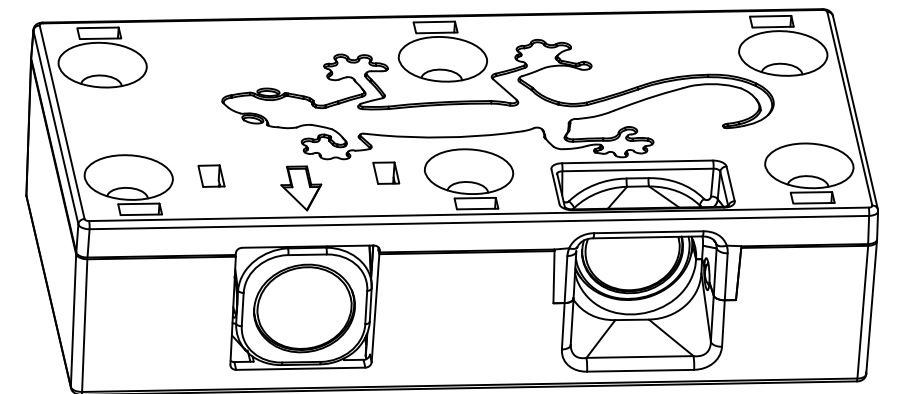
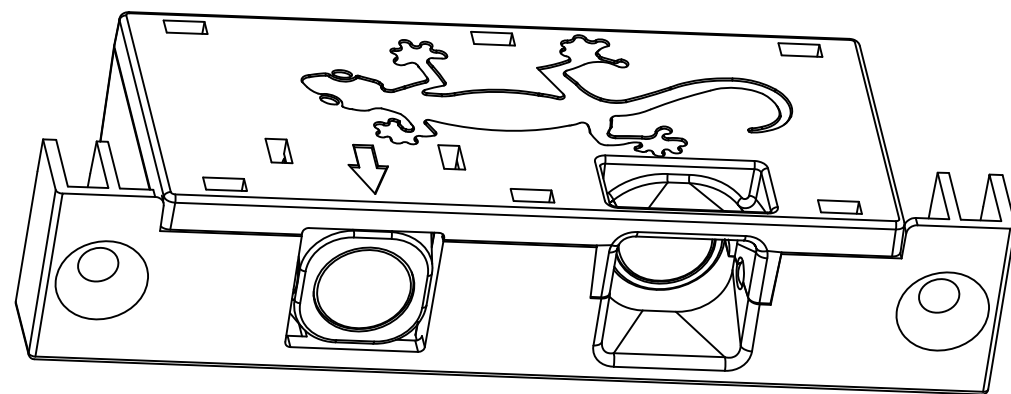


Fig.2



- Notes:
1. Angel tolerances without special marking are $\pm 1.0^\circ$;
 2. Dimensions tolerances without special marking are according to normal tolerances;
 3. Products burr has to be controlled in the acceptable range;
 4. Product has no deformation lack of plastic bubble oil.
 5. RoHS Compliant;
 6. Patent;

Gecko International Co.

DATE 2025-11-6 DIMENSION TOLERANCE

TITLE	FLAT PANEL CONNECTOR / EMBEDDED FLAT PANEL CONNECTOR					SCALE	FIT	L \leq 4	± 0.10
ARTICLE NO.	GEFPC&GFPC	MOLD NO.	ST160/ST161	DRAW	JF	UNIT	MM	4 < L \leq 15	± 0.20
PART NO.	SEE TABLE	MATERIAL	Metal + Plastic Component	DESIGN	JF	VERSION	A0	15 < L \leq 50	± 0.30
DWG NO.	E3295	COLOR	BLACK	APPROVAL	FDL	VIEW		50 < L \leq 100	± 0.40

Part No.	Article No.	Notes	Fig.
31124	GEFPC-1005	Embedded Installation	1
31175	GFPC-1005	Universal Installation	2