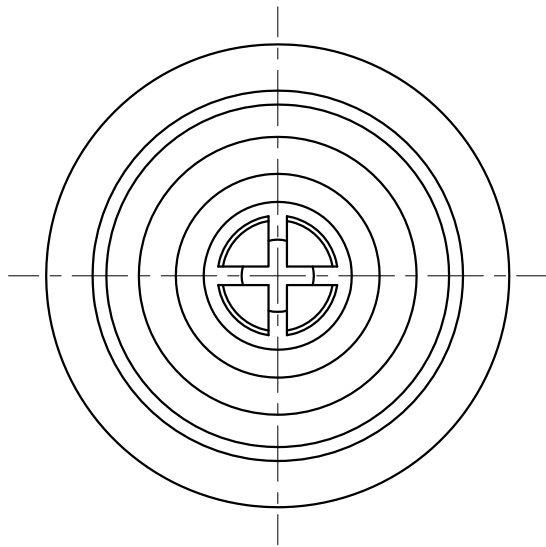
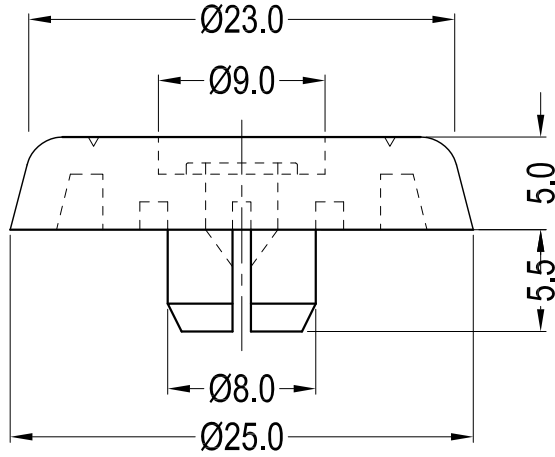
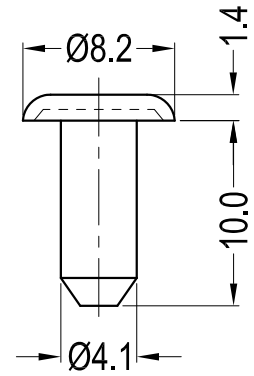


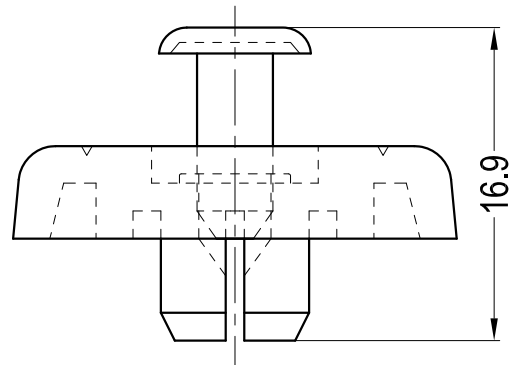
Body



Pin



Assembly



Notes:

- 1.Color:Black;
- 2.RoHS Compliant;
- 3.Hole:Ø8.0-8.1mm;
- Panel Thickness:0.8-1.5mm

Part No.	Part Name	Material(Body)	Material(Pin)
30064	GF-123	TPV UL94 HB	PP UL94 HB
30065	GF-123-PP	PP UL94 HB	

Gecko International Co.

Gecko International Co.						DATE	2014-10-14	DIMENSION	TOLERANCE
TITLE	SOFT FAST FOOT					SCALE	FIT	L ≤ 4	±0.10
PART NAME	GF-123	MOLD NO.	S0139/40	DRAW	JF	UNIT	MM	4 < L ≤ 15	±0.20
PART NO.	SEE TABLE	MATERIAL	SEE TABLE	DESIGN	JF	VERSION	A0	15 < L ≤ 50	±0.30
DWG NO.	E3018	COLOR	SEE NOTES	APPROVAL	FDL	VIEW		50 < L ≤ 100	±0.40