

Fig.1

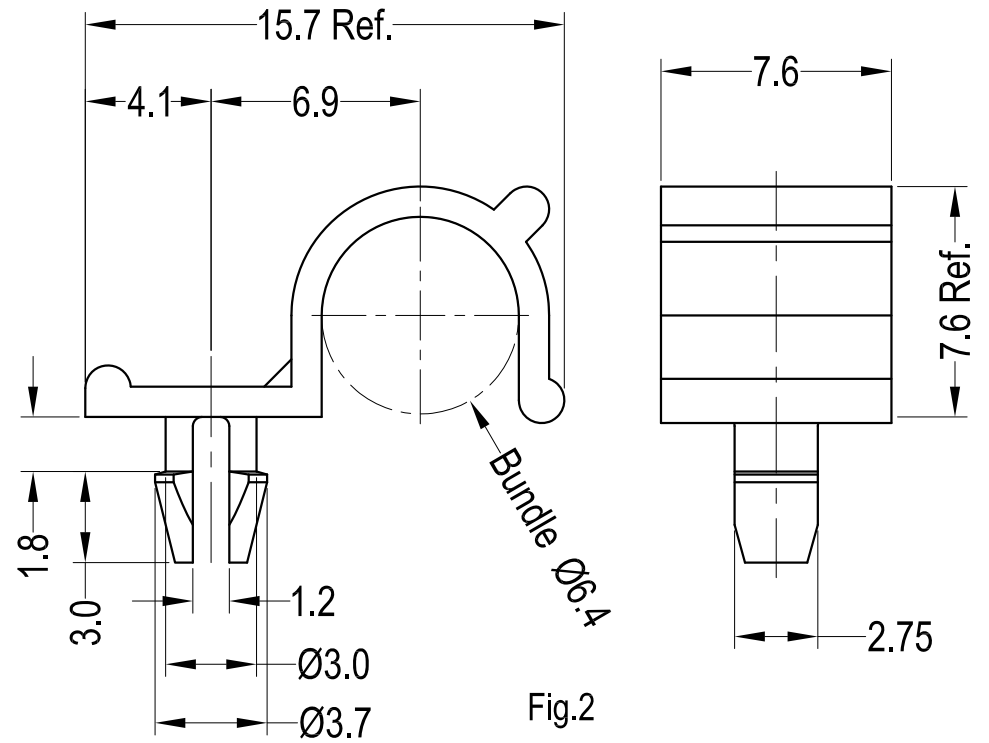


Fig.2

Notes:

- 1.Color: Natural;
- 2.RoHS Compliant;
- 3.Hole: $\text{Ø}3.18 \pm 0.05\text{mm}$;
Panel Thickness:1.6mm.

Part No.	Article No.	Material	Fig.
61061	GHURC-2-01	PA66 UL94 V2	1
61075	GHURC-2-19	PA66 UL94 V0	
61415	GHURC-4-01	PA66 UL94 V2	2
61416	GHURC-4-19	PA66 UL94 V0	

Gecko International Co.						DATE	2025-10-25	DIMENSION	TOLERANCE
TITLE	HALF U PLUG-IN ROUTING CLIP					SCALE	FIT	$L \leq 4$	± 0.10
ARTICLE NO.	GHURC-2&GHURC-4	MOLD NO.	S1275/S1026	DRAW	JF	UNIT	MM	$4 < L \leq 15$	± 0.20
PART NO.	SEE TABLE	MATERIAL	SEE TABLE	DESIGN	JF	VERSION	A0	$15 < L \leq 50$	± 0.30
DWG NO.	E6279	COLOR	SEE NOTES	APPROVAL	FDL	VIEW		$50 < L \leq 100$	± 0.40