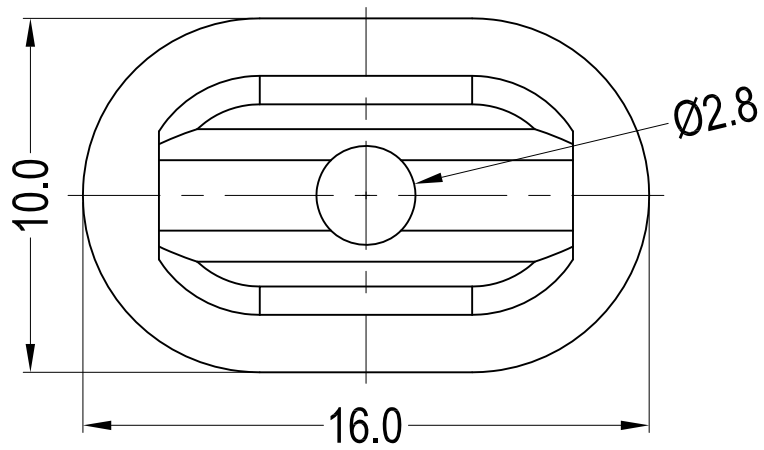
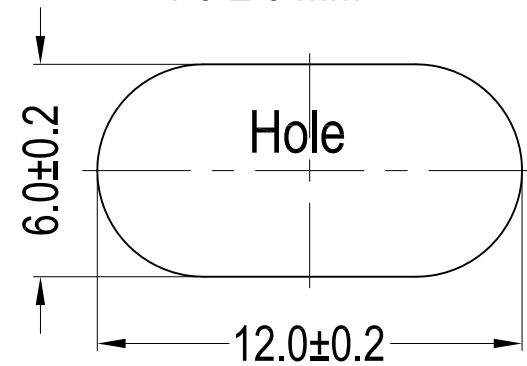


- Notes:
1. Material: PA66 UL94 V2;
 2. Color: Natural;
 3. RoHS Compliant;



Panel Thickness:
1.0-2.0 MM



Gecko International Co.						DATE	2016-4-5	DIMENSION	TOLERANCE
TITLE	GROMMET NUT					SCALE	FIT	L ≤ 4	±0.10
PART NAME	GL0543000AA01	MOLD NO.	S0913	DRAW	ZHR	UNIT	MM	4 < L ≤ 15	±0.20
PART NO.	10051	MATERIAL	SEE NOTES	DESIGN	ZHR	VERSION	A0	15 < L ≤ 50	±0.30
DWG NO.	E1064	COLOR	SEE NOTES	APPROVAL	FDL	VIEW		50 < L ≤ 100	±0.40