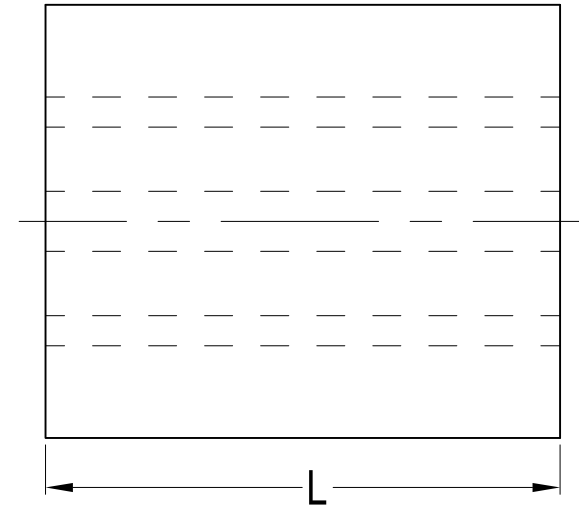
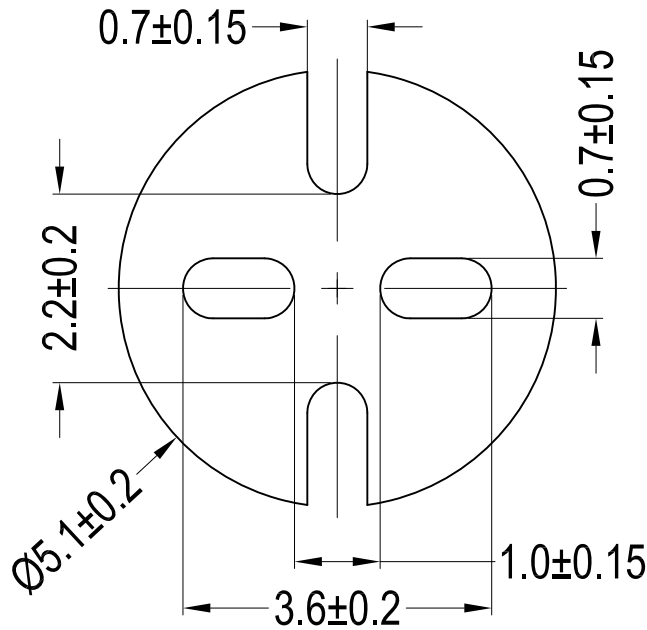


Part No.	Article No.	L	Fits LED
80558	GLEDM-1-6	6.0	T-1 3/4 (5mm)
80559	GLEDM-1-7	7.0	
80560	GLEDM-1-8	8.0	
80561	GLEDM-1-9	9.0	
80633	GLEDM-1-9.5	9.5	
80562	GLEDM-1-10	10.0	
80563	GLEDM-1-11	11.0	
80564	GLEDM-1-12	12.0	
80565	GLEDM-1-13	13.0	
80566	GLEDM-1-14	14.0	
80567	GLEDM-1-15	15.0	
80568	GLEDM-1-16	16.0	
80604	GLEDM-1-16.5	16.5	
80569	GLEDM-1-17	17.0	
80570	GLEDM-1-18	18.0	
80571	GLEDM-1-19	19.0	
80581	GLEDM-1-19.5	19.5	
80572	GLEDM-1-20	20.0	
80573	GLEDM-1-21	21.0	
80574	GLEDM-1-22	22.0	
80587	GLEDM-1-22.5	22.5	
80575	GLEDM-1-23	23.0	
80576	GLEDM-1-24	24.0	
80390	GLEDM-1-25	25.0	
80577	GLEDM-1-26	26.0	
80605	GLEDM-1-26.5	26.5	
80578	GLEDM-1-27	27.0	
80579	GLEDM-1-28	28.0	
80580	GLEDM-1-29	29.0	
80534	GLEDM-1-30	30.0	
80622	GLEDM-1-32	32.0	
80615	GLEDM-1-35	35.0	



Notes:

1. Material: PVC Flame Retardant;
2. Color: Black;
3. RoHS Compliant;

Gecko International Co.						DATE	2023-11-20	DIMENSION	TOLERANCE
TITLE	HIGH TEMPERATURE METRIC LED SPACER					SCALE	FIT	$L \leq 4$	± 0.10
ARTICLE NO.	GLEDM-1	MOLD NO.	S0745	DRAW	JF	UNIT	MM	$4 < L \leq 15$	± 0.20
PART NO.	SEE TABLE	MATERIAL	SEE NOTES	DESIGN	JF	VERSION	A0	$15 < L \leq 50$	± 0.30
DWG NO.	E8108	COLOR	SEE NOTES	APPROVAL	FDL	VIEW		$50 < L \leq 100$	± 0.40