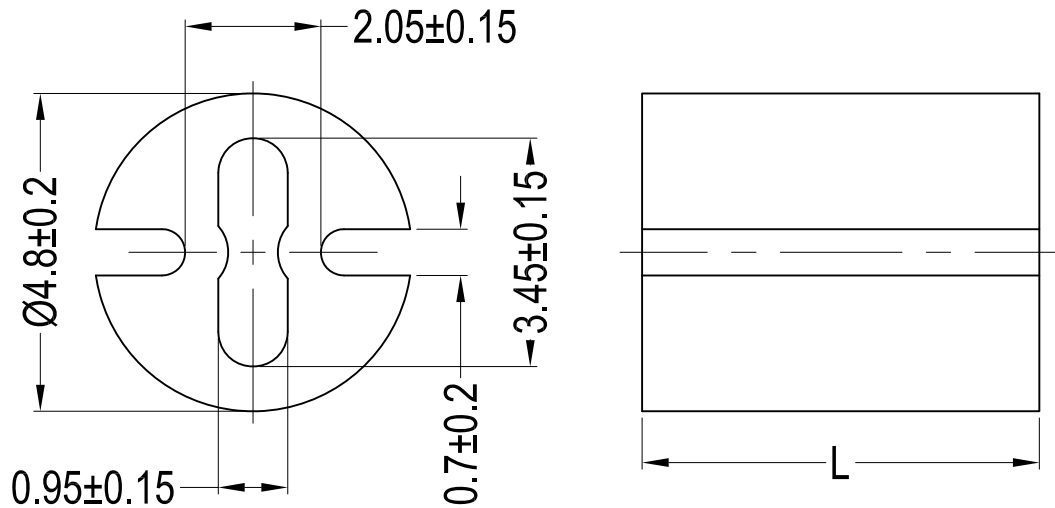


Part No.	Article No.	L	Fits LED
80362	GLEDM-2-6	6.0	T-1(3mm)
80398	GLEDM-2-6.5	6.5	
80378	GLEDM-2-7	7.0	
80549	GLEDM-2-8	8.0	
80550	GLEDM-2-9	9.0	
80389	GLEDM-2-10	10.0	
80551	GLEDM-2-11	11.0	
80363	GLEDM-2-12	12.0	
80381	GLEDM-2-13	13.0	
80552	GLEDM-2-14	14.0	
80553	GLEDM-2-15	15.0	
80554	GLEDM-2-16	16.0	
80260	GLEDM-2-17	17.0	
80535	GLEDM-2-18	18.0	
80536	GLEDM-2-19	19.0	
80537	GLEDM-2-20	20.0	
80538	GLEDM-2-21	21.0	
80539	GLEDM-2-22	22.0	
80540	GLEDM-2-23	23.0	
80541	GLEDM-2-24	24.0	
80542	GLEDM-2-25	25.0	
80631	GLEDM-2-25.5	25.5	
80543	GLEDM-2-26	26.0	
80608	GLEDM-2-26.5	26.5	
80544	GLEDM-2-27	27.0	
80545	GLEDM-2-28	28.0	
80546	GLEDM-2-29	29.0	
80547	GLEDM-2-30	30.0	
80650	GLEDM-2-35	35.0	



- Notes:
1. Material: PVC Flame Retardant;
 2. Color: Black;
 3. RoHS Compliant;

Gecko International Co.						DATE	2023-11-20	DIMENSION	L ≤ 4	TOLERANCE	±0.10
TITLE	HIGH TEMPERATURE METRIC LED SPACER					SCALE	FIT	L ≤ 4	±0.10		
ARTICLE NO.	GLEDM-2	MOLD NO.	S0558	DRAW	JF	UNIT	MM	4 < L ≤ 15	±0.20		
PART NO.	SEE TABLE	MATERIAL	SEE NOTES	DESIGN	JF	VERSION	A0	15 < L ≤ 50	±0.30		
DWG NO.	E8090	COLOR	SEE NOTES	APPROVAL	FDL	VIEW		50 < L ≤ 100	±0.40		