

Fig.1

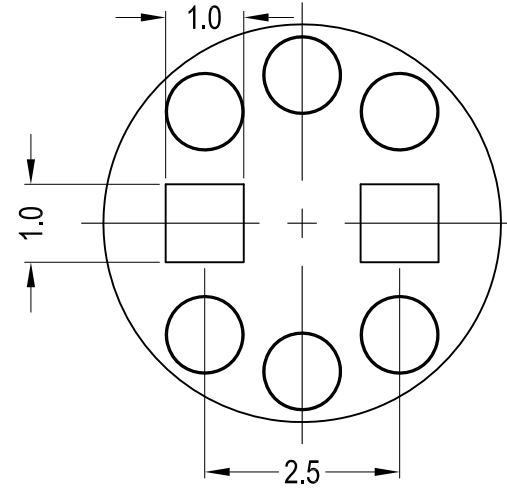
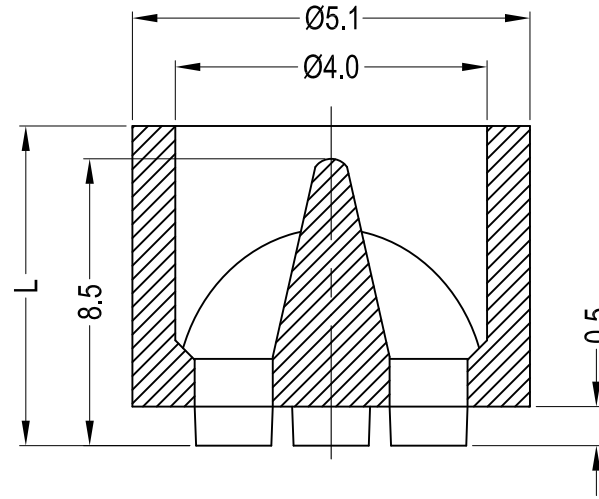


Fig.2

Part No.	Article No.	L	Fits LED	Fig.
80380	GLEDS2M-120-01	3.1	T-1 3/4 (5mm)	1
80384	GLEDS2M-140-01	3.6		
80385	GLEDS2M-160-01	4.1		
80383	GLEDS2M-180-01	4.5		
80386	GLEDS2M-200-01	5.1		
80387	GLEDS2M-220-01	5.6		
80388	GLEDS2M-240-01	6.1		
80636	GLEDS2M-400-01	10.2		

Gecko International Co.

DATE

2021-8-31

DIMENSION

TOLERANCE

TITLE

LED SPACER TYPE 3

SCALE

FIT

$L \leq 4$

± 0.10

ARTICLE NO.

GLEDS2M

MOLD NO.

S0746

DRAW

PLK

UNIT

MM

$4 < L \leq 15$

± 0.20

PART NO.

SEE TABLE

MATERIAL

SEE NOTES

DESIGN

PLK

VERSION

A0

$15 < L \leq 50$

± 0.30

DWG NO.

E8109

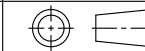
COLOR

SEE NOTES

APPROVAL

FDL

VIEW



$50 < L \leq 100$

± 0.40

Notes:

1.Material: PA66 UL94 V2;

2.Color: Natural;

3.RoHS Compliant .