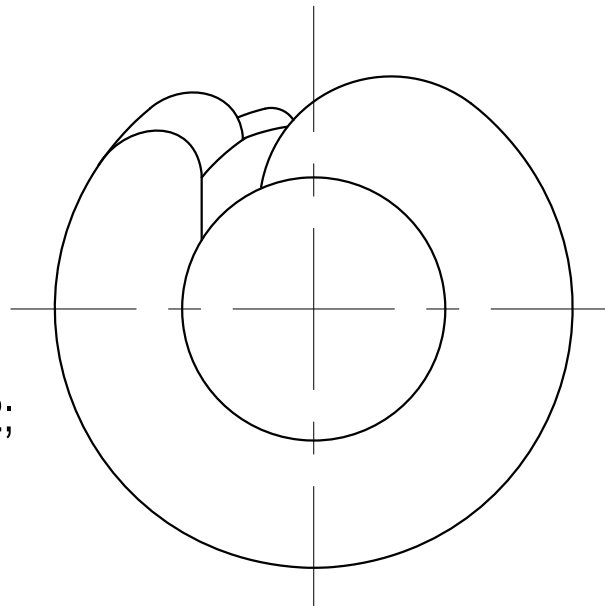
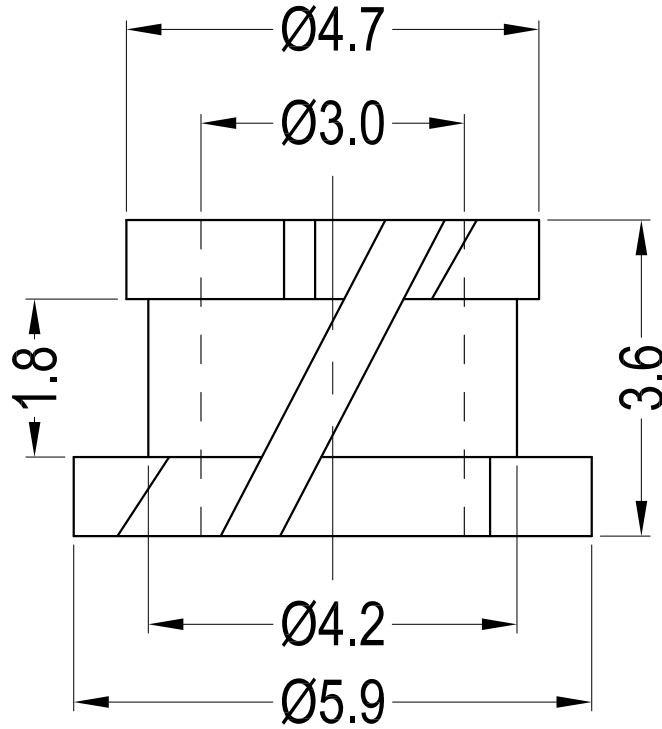


REV	DESCRIPTION	DATE	CHECK
A1	The Article No. changed from G164001 to GSB-(Spec.)-(Material).	2025-10-21	FDL



Notes:

1. Material: PA66 UL94 V2;
2. Color: Natural;
3. RoHS Compliant;
4. Hole: $\text{Ø}4.2 \pm 0.08\text{mm}$;
Panel Thickness: 1.5-1.8mm.

Gecko International Co.

Gecko International Co.						DATE	2025-10-21	DIMENSION	TOLERANCE
TITLE	SPLIT BEARING BUSHING					SCALE	FIT	$L \leq 4$	± 0.10
ARTICLE NO.	GSB-3036-66	MOLD NO.	S0906	DRAW	LWJ	UNIT	MM	$4 < L \leq 15$	± 0.20
PART NO.	30291	MATERIAL	SEE NOTES	DESIGN	LWJ	VERSION	A1	$15 < L \leq 50$	± 0.30
DWG NO.	E3128	COLOR	SEE NOTES	APPROVAL	FDL	VIEW		$50 < L \leq 100$	± 0.40