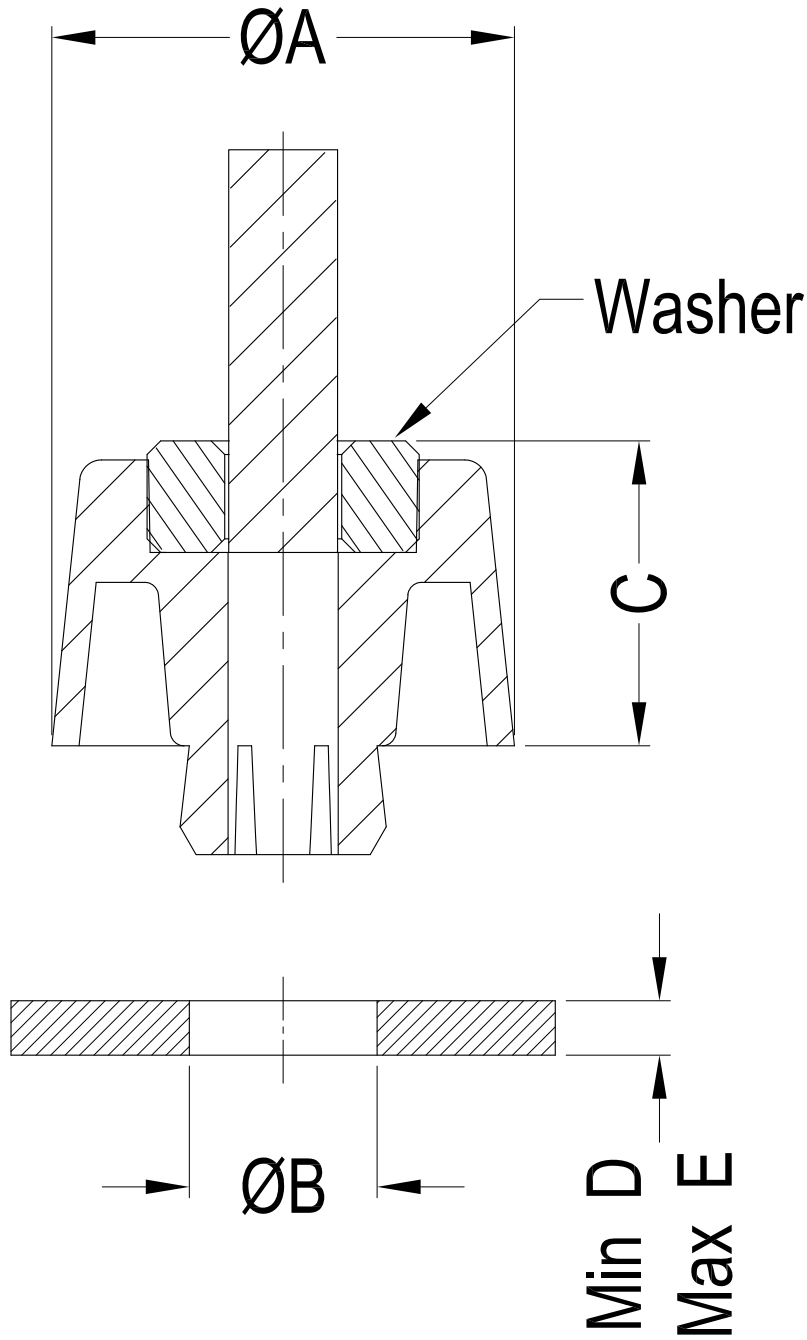


REV	DESCRIPTION	DATE	CHECK
A1	The Article No. changed from G120 1117 to GSF-(Spec.).	2025-10-20	FDL



Notes:

1. Material: PA6 UL94 V2(Foot),
EVA (Washer);
2. Color: Black(Foot),
Transparent(Washer);
3. RoHS Compliant;
4. Hole: $\text{Ø}7.0\text{mm}$,
Panel Thickness: 1.0-2.5mm.

Part No.	Article No.	A	B	C	D	E
30287	GSF-0412	12.0	6.0	4.3	0.8	2.0
30289	GSF-0716	16.0	7.0	6.9	1.5	3.0
30286	GSF-1117	17.0		11.2	1.0	2.5
30290	GSF-1316	16.0	7.7	12.5	0.9	1.5
30288	GSF-1621	21.0		15.8	0.8	4.0

Gecko International Co.

DATE

2025-10-21

DIMENSION

TOLERANCE

TITLE

SPECIAL FEET

SCALE

FIT

$L \leq 4$

± 0.10

ARTICLE NO.

GSF

MOLD NO.

S0897/9

DRAW

LWJ

UNIT

MM

$4 < L \leq 15$

± 0.20

PART NO.

SEE TABLE

MATERIAL

SEE NOTES

DESIGN

LWJ

VERSION

A1

$15 < L \leq 50$

± 0.30

DWG NO.

E3123

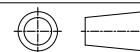
COLOR

SEE NOTES

APPROVAL

FDL

VIEW



$50 < L \leq 100$

± 0.40