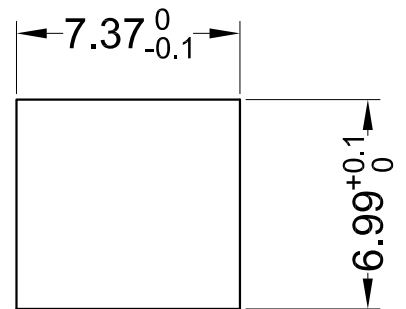
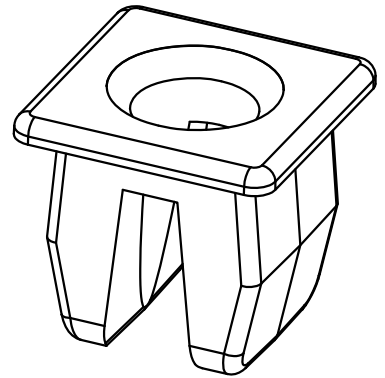
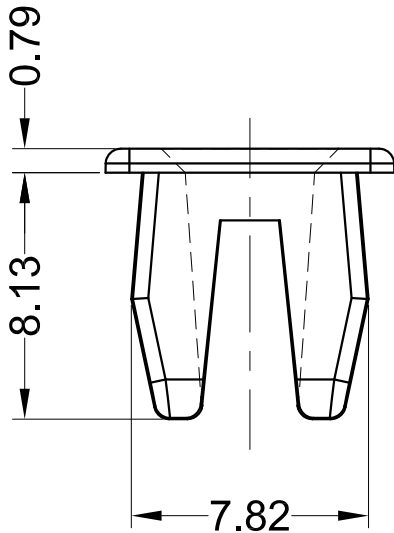
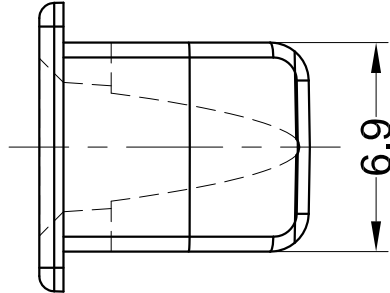
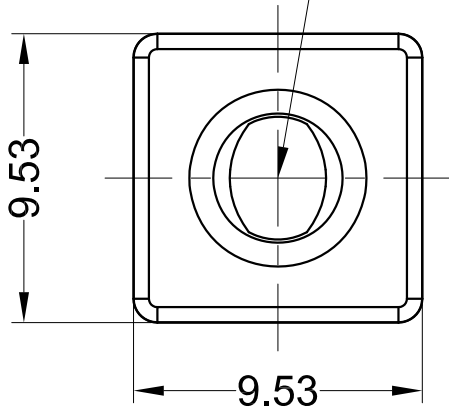


Top Hole: For 4.0mm Self-Tapping Sheet Metal Screw



NOTES:

1. Material: PA66 UL94 V2;
2. Color: Natural;
3. RoHS Compliant.

Mounting Hole
Panel Thickness: 0.79-3.18mm

Gecko International Co.

DATE

2022-10-28

DIMENSION

TOLERANCE

TITLE

SCREW GROMMET

SCALE

FIT

$L \leq 4$

± 0.10

ARTICLE NO.

GSRSG6-04S-01

MOLD NO.

S1287

DRAW

PLK

UNIT

MM

$4 < L \leq 15$

± 0.20

PART NO.

10200

MATERIAL

SEE NOTES

DESIGN

PLK

VERSION

A0

$15 < L \leq 50$

± 0.30

DWG NO.

E1125

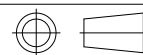
COLOR

SEE NOTES

APPROVAL

FDL

VIEW



$50 < L \leq 100$

± 0.40