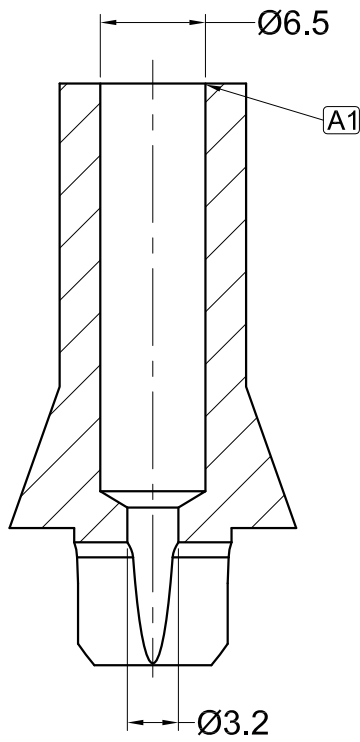
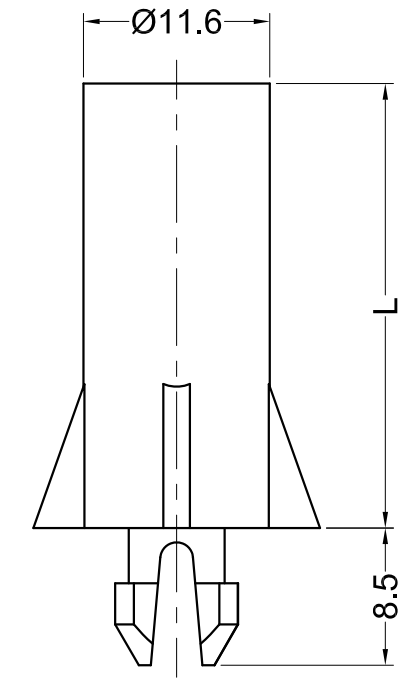
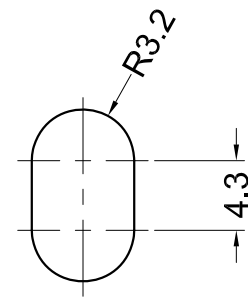
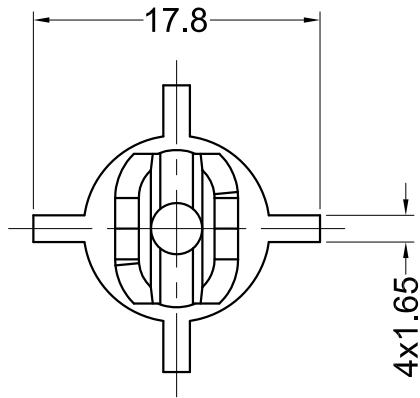


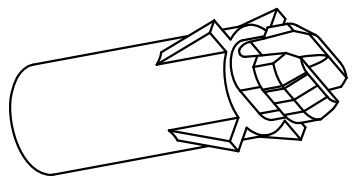
REV	DESCRIPTION	DATE	CHECK
A1	Structure Modify: Remove Chamfer	2021-12-24	FDL



Notes:
 1. Panel Thickness: 2.2-2.7mm.
 2. RoHS Compliant;
 3. Screw Size: This part is a customized version.
 Please check the screw size through testing on samples!



PANEL FEATURE CUTOUT



Part No.	Article No.	L
43504	GSSRS12-28	27.6
43503	GSSRS12-50	49.8

Gecko International Co.						DATE	2023-8-17	DIMENSION	TOLERANCE
TITLE	SELF-RETAINING SPACER					SCALE	FIT	L ≤ 4	±0.38
ARTICLE NO.	GSSRS12	MOLD NO.	S1157	DRAW	PLK	UNIT	MM	4 < L ≤ 15	±0.38
PART NO.	SEE TABLE	MATERIAL	PA66 UL94 V2	DESIGN	PLK	VERSION	A1	15 < L ≤ 50	±0.38
DWG NO.	E4376	COLOR	NATURAL	APPROVAL	FDL	VIEW		50 < L ≤ 100	±0.38