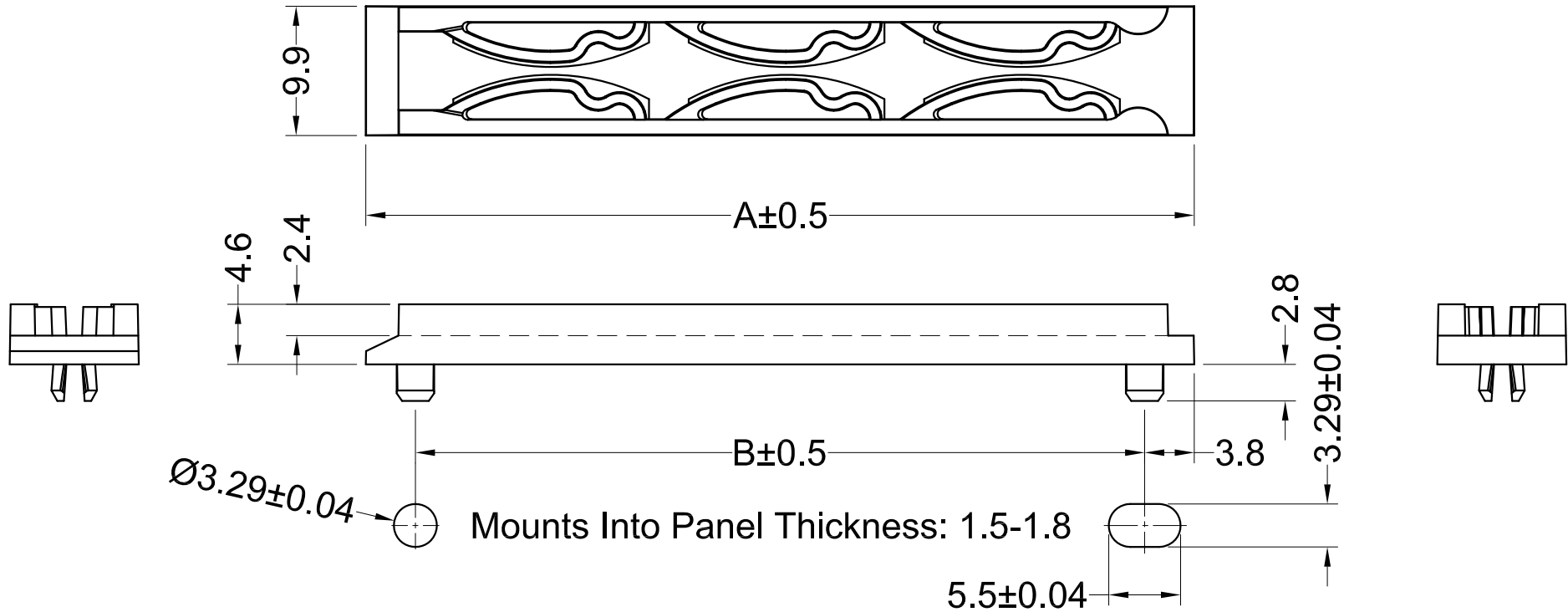
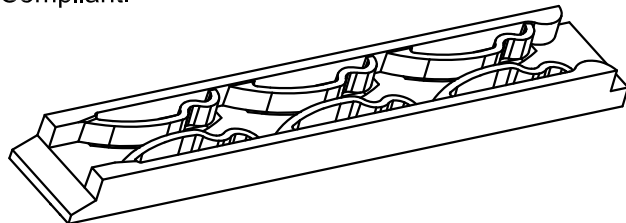


Accepts PCB Thickness: 1.3-2.2mm



Notes:

1. Material: PC UL94V0;
2. Color: Black;
3. RoHS Compliant.



Part No.	Article No.	A	B
61315	GTRCG-2.500	63.5	55.9
60925	GTRCG-3.300	83.8	76.2

Gecko International Co.						DATE	2020-4-8	DIMENSION	TOLERANCE
TITLE	TENSION RACK CARD GUIDE					SCALE	FIT	$L \leq 4$	± 0.10
ARTICLE NO.	GTRCG	MOLD NO.	S0940/S1161	DRAW	JF	UNIT	MM	$4 < L \leq 15$	± 0.20
PART NO.	SEE TABLE	MATERIAL	SEE NOTES	DESIGN	JF	VERSION	A0	$15 < L \leq 50$	± 0.30
DWG NO.	E6257	COLOR	SEE NOTES	APPROVAL	FDL	VIEW		$50 < L \leq 100$	± 0.40