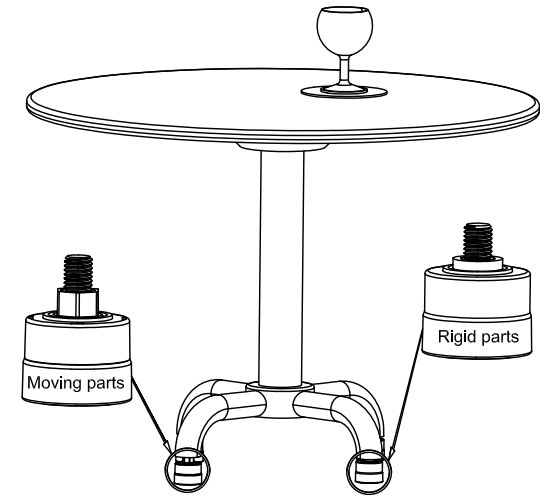
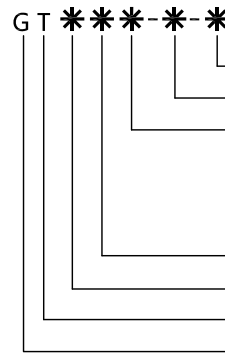


| Part No. | Article No. | Part No. | Article No. | Part No. | Article No. | Finish | Color | M |
|----------|---------------|----------|---------------|----------|---------------|---------------|-------|-----------|
| 30542 | GTSS1M-M6-B | 30527 | GTSS2M-M6-B | 30558 | GTSS4M-M6-B | / | Black | M6 |
| 30543 | GTSS1M-M8-B | 30526 | GTSS2M-M8-B | 30559 | GTSS4M-M8-B | / | | M8 |
| 30544 | GTSS1M-1-4-B | 30528 | GTSS2M-1-4-B | 30560 | GTSS4M-1-4-B | / | | 1/4 inch |
| 30545 | GTSS1M-5-16-B | 30529 | GTSS2M-5-16-B | 30561 | GTSS4M-5-16-B | / | | 5/16 inch |
| 30546 | GTSG1M-M6-B | 30530 | GTSG2M-M6-B | 30562 | GTSG4M-M6-B | / | | M6 |
| 30547 | GTSG1M-M6-G | 30531 | GTSG2M-M6-G | 30563 | GTSG4M-M6-G | Gold Plated | | |
| 30548 | GTSG1M-M6-S | 30532 | GTSG2M-M6-S | 30564 | GTSG4M-M6-S | Silver Plated | | |
| 30549 | GTSG1M-M8-B | 30533 | GTSG2M-M8-B | 30565 | GTSG4M-M8-B | / | | |
| 30550 | GTSG1M-M8-G | 30534 | GTSG2M-M8-G | 30566 | GTSG4M-M8-G | Gold Plated | | M8 |
| 30551 | GTSG1M-M8-S | 30535 | GTSG2M-M8-S | 30567 | GTSG4M-M8-S | Silver Plated | | |
| 30552 | GTSG1M-1-4-B | 30536 | GTSG2M-1-4-B | 30568 | GTSG4M-1-4-B | / | | 1/4 inch |
| 30553 | GTSG1M-1-4-G | 30537 | GTSG2M-1-4-G | 30569 | GTSG4M-1-4-G | Gold Plated | | |
| 30554 | GTSG1M-1-4-S | 30538 | GTSG2M-1-4-S | 30570 | GTSG4M-1-4-S | Silver Plated | | 5/16 inch |
| 30555 | GTSG1M-5-16-B | 30539 | GTSG2M-5-16-B | 30571 | GTSG4M-5-16-B | / | | |
| 30556 | GTSG1M-5-16-G | 30540 | GTSG2M-5-16-G | 30572 | GTSG4M-5-16-G | Gold Plated | | |
| 30557 | GTSG1M-5-16-S | 30541 | GTSG2M-5-16-S | 30573 | GTSG4M-5-16-S | Silver Plated | | |



Detailed Rules of the Article name:



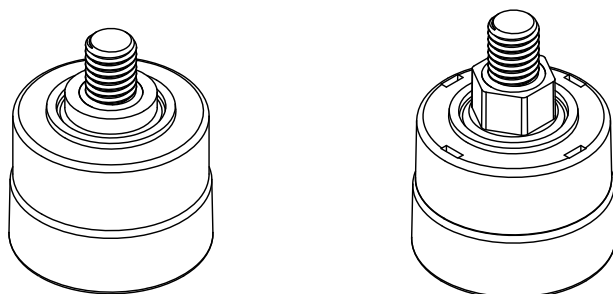
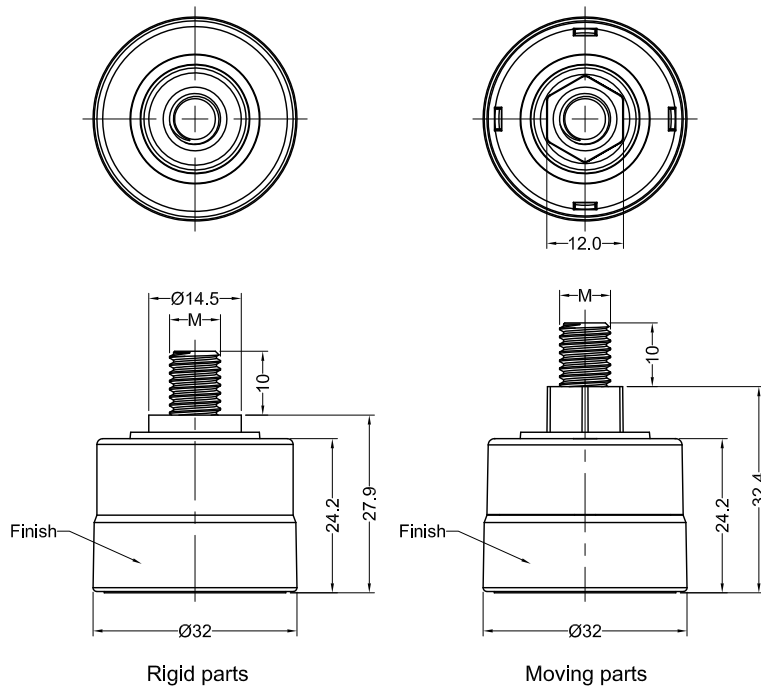
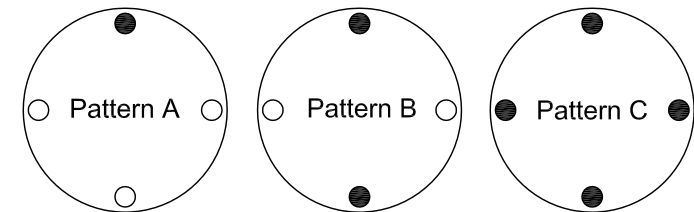
Color: "B" means Black; "G" means Gold plated; "S" means Silver plated
 Screw size: M6 ; M8 ; 1/4 inch ; 5/16 inch
 Installation Pattern:
 1M means one Moving part, Pattern A;
 2M means two Moving parts, Pattern B;
 4M means four Moving parts, Pattern C
 Appearance: "S" means Stripped; "G" means Glossy
 Type: "S" means Standard; "M" means Mini
 "T" means Table
 "G" means Gecko

Notes:

1. Material: Plastic + Metal components
2. Capacity of table weight: 5 - 30kgs, and it can be customized.
3. Effective height of adjustment:
 Pattern A: $\pm 5\text{mm}$;
 Pattern B: $\pm 7\text{mm}$;
 Pattern C: $\pm 10\text{mm}$.
4. The Shape, Size, Material, Color are customizable.
5. RoHS Compliant;

Installation pattern

- Moving parts
- Rigid parts



| Gecko International Co. | | | | | | DATE | 2024-7-9 | DIMENSION | TOLERANCE |
|-------------------------|--------------|----------|-------------|----------|-----|---------|----------|-------------------|------------|
| TITLE | BALANCE FEET | | | | | SCALE | FIT | $L \leq 4$ | ± 0.10 |
| ARTICLE NO. | GTS | MOLD NO. | ST153/ST154 | DRAW | PLK | UNIT | MM | $4 < L \leq 15$ | ± 0.20 |
| PART NO. | SEE TABLE | MATERIAL | SEE NOTES | DESIGN | PLK | VERSION | A0 | $15 < L \leq 50$ | ± 0.30 |
| DWG NO. | E3183 | COLOR | SEE TABLE | APPROVAL | FDL | VIEW | | $50 < L \leq 100$ | ± 0.40 |