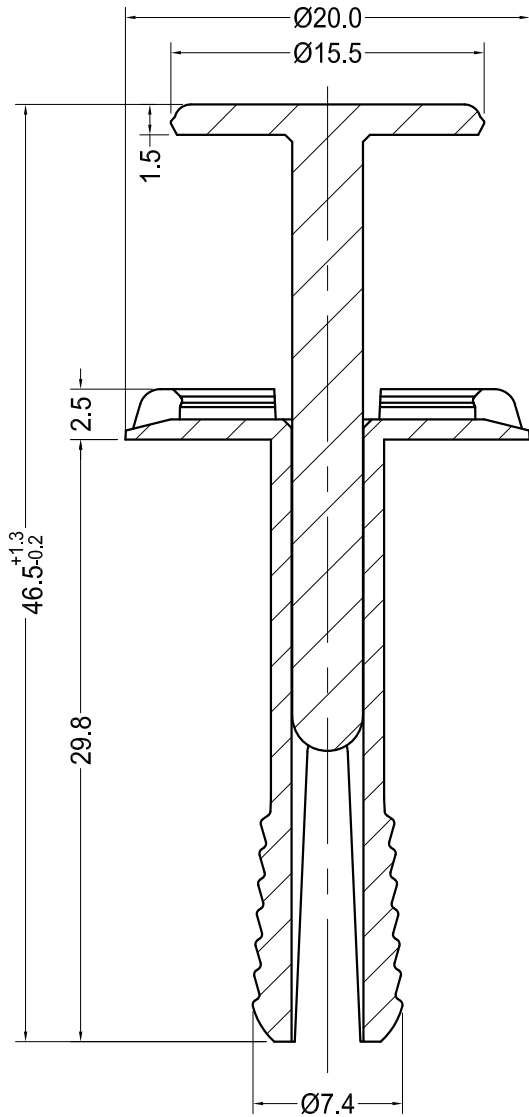
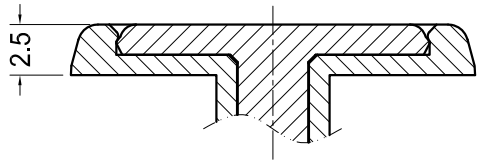


Assembly Part



Notes:

- 1. RoHS Compliant;
- 2. Hole: $\text{Ø}6.0 \pm 0.1 \text{ mm}$;
Panel Thickness: 19.0-27.0mm.

Gecko International Co.

DATE

2024-6-27

DIMENSION

TOLERANCE

TITLE

PUSH RIVET

SCALE

FIT

$L \leq 4$

± 0.10

ARTICLE NO.

GUSR6030B-AU

MOLD NO.

S1146/S1147

DRAW

JF

UNIT

MM

$4 < L \leq 15$

± 0.20

PART NO.

10089

MATERIAL

PA66 UL94V2

DESIGN

JF

VERSION

A0

$15 < L \leq 50$

± 0.30

DWG NO.

E1093

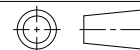
COLOR

BLACK

APPROVAL

FDL

VIEW



$50 < L \leq 100$

± 0.40