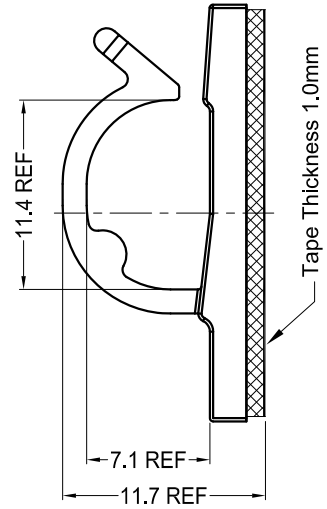
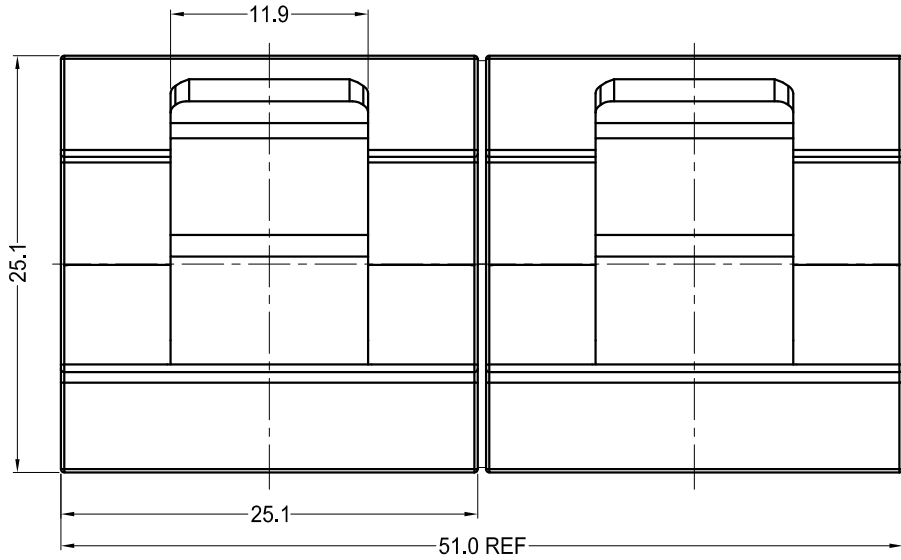
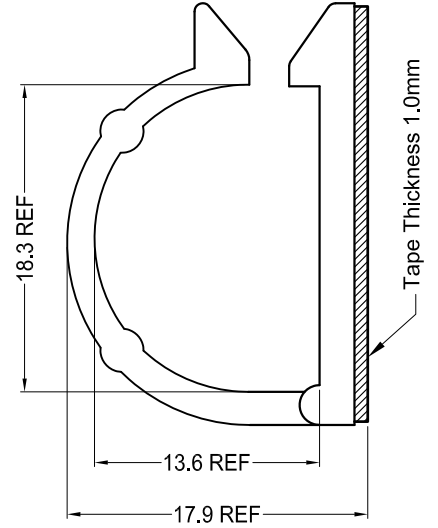
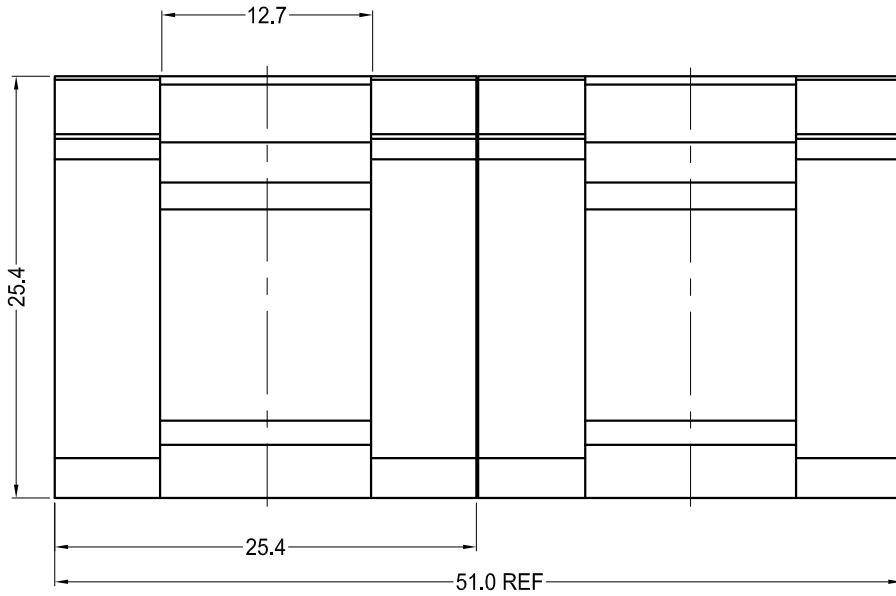


Part No.	Article No.
61495	GWCK-460-01-2AT



Part No.	Article No.
61501	GWCK-720-01-2AT



Notes:

1. Material: PA66 UL94V2+Acrylic Tape;
2. Color: Natural;
3. RoHS Compliant.

**Gecko International Co.**

Gecko International Co.						DATE	2025-12-15	DIMENSION	TOLERANCE
TITLE	WIRE CORD KLIP ON ADHESIVE BASE (2 CLIPS ON 1 TAPE)					SCALE	FIT	L ≤ 4	±0.10
ARTICLE NO.	GWCK-2AT	MOLD NO.	S0712/S1047	DRAW	JF	UNIT	MM	4 < L ≤ 15	±0.20
PART NO.	SEE TABLE	MATERIAL	SEE NOTES	DESIGN	JF	VERSION	A0	15 < L ≤ 50	±0.30
DWG NO.	E6289	COLOR	SEE NOTES	APPROVAL	FDL	VIEW		50 < L ≤ 100	±0.40