

Fig.1

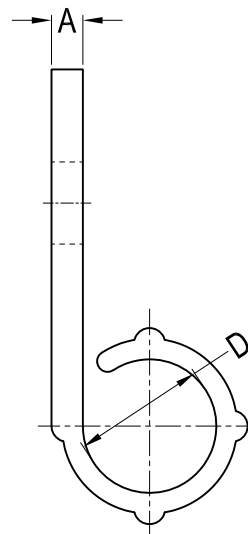


Fig.2

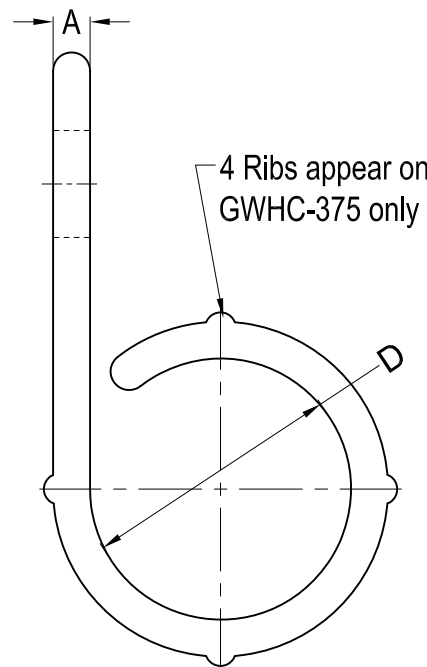
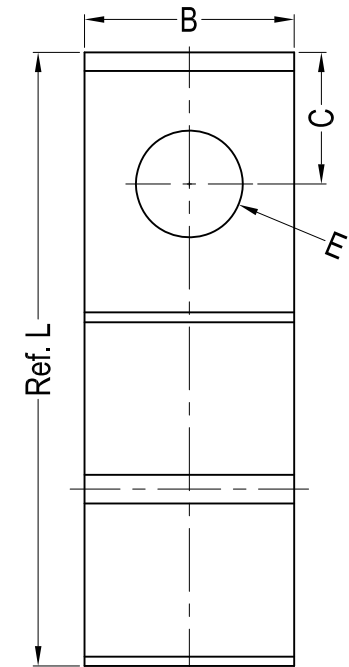


Fig.3



Notes:
RoHS Compliant

Part No.	Article No.	A	B	C	D	E	L	Material	Color	Fig.
60373	GWHC-125-01							PA66 UL94 V2	Natural	1
60946	GWHC-125-01B	1.3	8.5	5.8	3.2	4.0	19.5	Black		
60903	GWHC-125-19							PA66 UL94 V0	Natural	
60966	GWHC-125-19B							Black		
60618	GWHC-250-01							PA66 UL94 V2	Natural	2
60908	GWHC-250-01B	1.5	10.3	6.4	6.4		21.8	Black		
60678	GWHC-250-19							PA66 UL94 V0	Natural	
60967	GWHC-250-19B							Black		
60420	GWHC-375-01							PA66 UL94 V2	Natural	3
60968	GWHC-375-01B	1.3		4.8	9.0		21.1	Black		
60899	GWHC-375-19							PA66 UL94 V0	Natural	
60969	GWHC-375-19B							Black		
60337	GWHC-500-01		10.2					PA66 UL94 V2	Natural	
60442	GWHC-500-01B	1.8		6.4	12.5±0.5		29.4	Black		
60905	GWHC-500-19							PA66 UL94 V0	Natural	
60904	GWHC-500-19B							Black		
60443	GWHC-625-01							PA66 UL94 V2	Natural	5.2
60444	GWHC-625-01B							Black		
60906	GWHC-625-19	2.0			15.9 ^{+0.3} _{-1.0}		28.6	PA66 UL94 V0	Natural	
60907	GWHC-625-19B							Black		
60663	GWHC-750-01							PA66 UL94 V2	Natural	
60970	GWHC-750-01B	2.2	12.7	4.8	19.1 ^{+0.3} _{-1.0}		32.5	Black		
60900	GWHC-750-19							PA66 UL94 V0	Natural	
60973	GWHC-750-19B							Black		
60664	GWHC-1000-01							PA66 UL94 V2	Natural	38.9
60971	GWHC-1000-01B	2.2			25.4 ^{+0.3} _{-1.5}			Black		
60901	GWHC-1000-19							PA66 UL94 V0	Natural	
60974	GWHC-1000-19B							Black		
60665	GWHC-1500-01							PA66 UL94 V2	Natural	53.9
60972	GWHC-1500-01B	2.5			38.1 ^{+0.3} _{-2.5}			Black		
60902	GWHC-1500-19							PA66 UL94 V0	Natural	
60975	GWHC-1500-19B							Black		

Gecko International Co.							DATE	2023-7-25	DIMENSION	L ≤ 4	TOLERANCE	±0.10
TITLE	CABLE CLAMP						SCALE	FIT	L ≤ 4	±0.10		
ARTICLE NO.	GWHC	MOLD NO.	S0536/591/610/727/756/757/758	DRAW	JF	UNIT	MM	4 < L ≤ 15	±0.20			
PART NO.	SEE TABLE	MATERIAL	SEE TABLE	DESIGN	JF	VERSION	A0	15 < L ≤ 50	±0.30			
DWG NO.	E6123	COLOR	SEE TABLE	APPROVAL	FDL	VIEW		50 < L ≤ 100	±0.40			