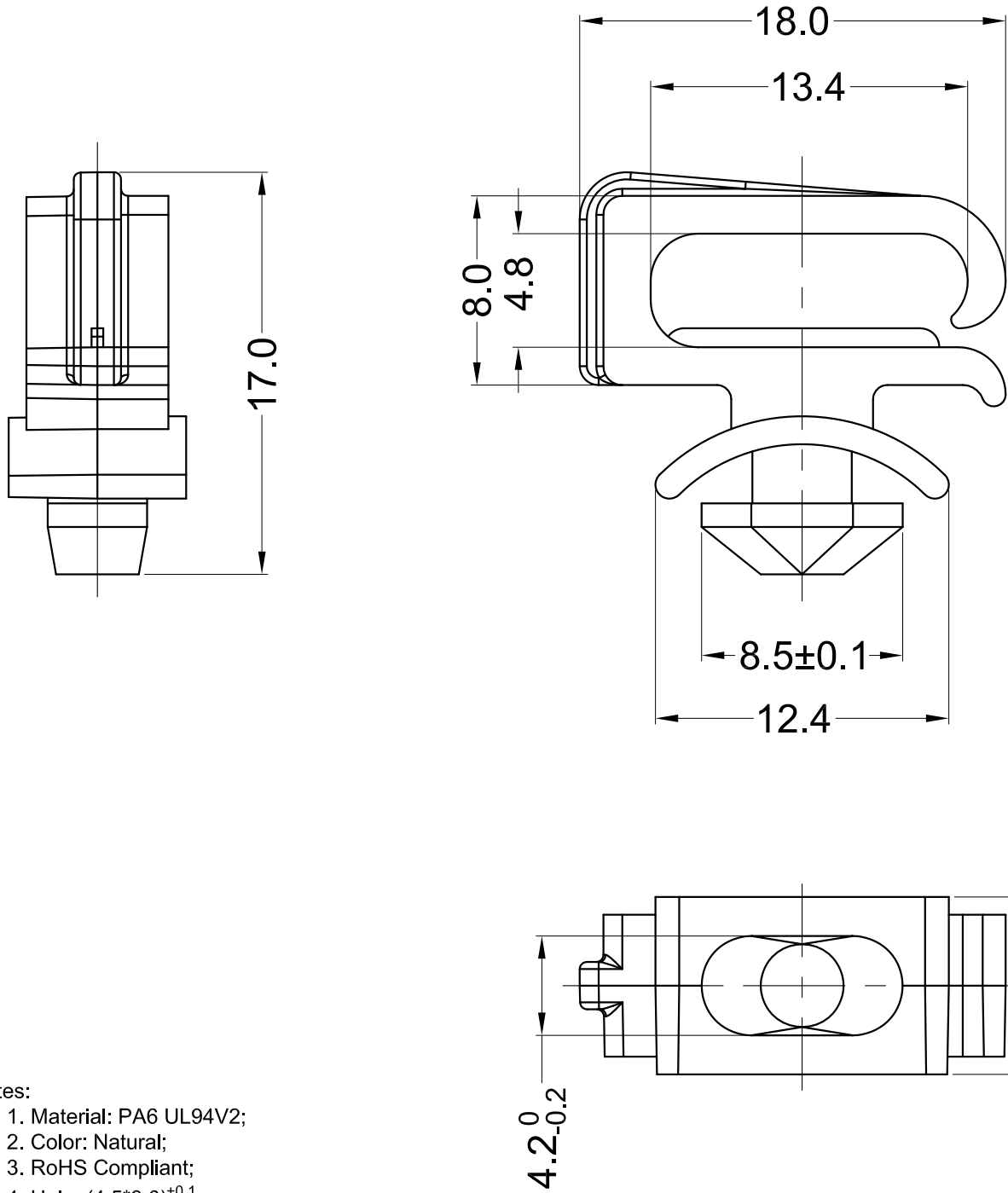


REV	DESCRIPTION	DATE	CHECK
A1	The Article No. changed from G052863000 To GWS-SE-C-1-6.	2025-10-16	FDL



Notes:

1. Material: PA6 UL94V2;
2. Color: Natural;
3. RoHS Compliant;
4. Hole: $(4.5 \times 9.0)^{+0.1}_{-0.2}$ mm,
Panel Thickness: 0.3-1.5mm.

Gecko International Co.

Gecko International Co.						DATE	2025-10-16	DIMENSION	TOLERANCE
TITLE	WIRE SADDLE, SIDE ENTRY, NON-LOCKING					SCALE	FIT	$L \leq 4$	± 0.10
ARTICLE NO.	GWS-SE-C-1-6	MOLD NO.	ST108	DRAW	JF	UNIT	MM	$4 < L \leq 15$	± 0.20
PART NO.	60807	MATERIAL	SEE NOTES	DESIGN	JF	VERSION	A1	$15 < L \leq 50$	± 0.30
DWG NO.	E6249	COLOR	SEE NOTES	APPROVAL	FDL	VIEW		$50 < L \leq 100$	± 0.40